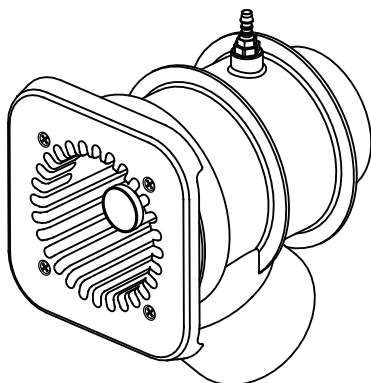


# Badu<sup>®</sup> Stream //

Counter Swimming Unit  
Sistema de Nado Contra Corriente



**Technical Support:**

**Address:** Speck Pumps  
8125 Bayberry Road  
Jacksonville, FL. 32256  
USA

**Hours:** (Monday - Friday) 8:00 am to 5:00 pm EST  
**Toll Free:** 800-223-8538  
**Phone:** 904-739-2626  
**Fax:** 904-737-5261

**Website:** [www.usa.speck-pumps.com](http://www.usa.speck-pumps.com)

**Email:** [technical.usa@speck-pumps.com](mailto:technical.usa@speck-pumps.com)

<b>Date of Installation:</b>	
<b>Installed by:</b>	
<b>Serial Number:</b>	
<b>For Service Call:</b>	

*Manufactured by Speck Pumps, Jacksonville Florida USA, ©2017 All Rights Reserved.*

This document is subject to change without notice.

# Table of Contents

<b>1</b>	<i>Important Safety Instructions</i>	<b>4</b>
	SwimJet Combination Fitting Manufacturers Warnings. . .	4
	General Safety Instructions. . . . .	5
<b>2</b>	<i>General Description</i>	<b>7</b>
<b>3</b>	<i>Installation Information</i>	<b>7</b>
	Receiving Information . . . . .	7
	Plumbing Installation . . . . .	8
	Concrete or Gunite Installation . . . . .	12
	Liner and/or Fiberglass Pool Installation . . . . .	14
	Removal of Liner . . . . .	15
	Pump and Control Box Installation . . . . .	15
<b>4</b>	<i>Service and Maintenance</i>	<b>18</b>
	Nozzle Adjustments . . . . .	18
	Winterizing . . . . .	18
<b>5</b>	<i>Frequently Asked Questions</i>	<b>19</b>
	Frequently Asked Questions . . . . .	19
	Troubleshooting . . . . .	20
<b>6</b>	<i>Product Specification</i>	<b>22</b>
	Replacement Parts and Exploded View . . . . .	22
<b>7</b>	<i>Limited Warranty</i>	<b>24</b>

## BaduStream // Certifications



Complies with UL 1563  
 CSA C22.2 No. 218.1-M89  
 Swimming Pool Equipment  
 Listing #E212148



VGB 2008

---

# 1 Important Safety Instructions

---

**WARNING:** Before installing this product, read and follow all warning notices and instructions which are included. Failure to follow safety warnings and instructions can result in severe injury, death, or property damage. Call (800) 223-8538 or visit [www.usa.speck-pumps.com](http://www.usa.speck-pumps.com) for additional copies of these instructions.

---

## Swim Jet Combination Fitting - Manufacturers Warnings

---

**MUST BE INSTALLED** by an experienced and qualified pool industry professional **ONLY**.

**Attention Installer:** This manual contains important information about installation, operation, and safe use of this product. This information should be given to the owner and/or operator of this equipment. Most states and local codes regulate the construction, installation and operation of pools and spas. It is important to comply with these codes, many which regulate the installation and use of this product.

1. **DO NOT** locate this fitting in seating areas or on the back rests for such seating areas.
2. This fitting should be mounted in the vertical pool wall only per manufacturer's instructions.
3. All fittings and fasteners should be examined for damage or tampering before each use.
4. Any missing, broken, or cracked fittings must be replaced before using this product. Only genuine Speck replacement parts may be used.
5. Acceptable fittings/pipe sizes are listed on page 8 of this manual. No other sizes are permitted.
6. Never exceed the maximum flow rate stated on this product.
7. The anti-entrapment cover must be in place when using this product. **DO NOT** use this product if the cover is missing, broken, or loose.
8. The anti-entrapment cover (part# 8) should be replaced within 10 years from installation date.
9. Installation requires a Phillips screw driver. Hand tighten only. **DO NOT** use electrical or air drills.
10. Consult your physician before exercising with the Badu®Stream II or using the massage hose.
11. **DO NOT** permit children to use this product unless they are closely supervised at all times.
12. **DO NOT** remove any safety alert labels such as **DANGER, WARNING, or CAUTION**. Keep safety alert labels in good condition and replace missing or damaged labels.
13. Stay alert, watch what you are doing and use common sense. **DO NOT** use unit if you are tired and/or exhausted. **DO NOT** use unit while under the influence of drugs, alcohol, or any medications.

**CAUTION: DO NOT** increase pump size; this will increase the flow rate through the system and exceed the maximum flow rate stated on this product.

**IMPROPER INSTALLATION OR USE OF THIS PRODUCT MAY PRESENT A RISK OF HAIR OR BODY ENTRAPMENT AND DROWNING.** Install this equipment in accordance with the instructions provided.

As the manufacturer, Speck Pumps-Pool Products, Inc., hereby certifies that their Swim Jet Combination Fitting meets or exceeds the requirements of the Virginia Graeme Baker Pool & Spa Safety Act, VGB 2008 and ANSI/APSP 16-2011 standards and safety regulations as set forth by the Consumer Products Safety Commission.

***"Read, and then keep these instructions for future reference"***

---

## General Safety Instructions

---

**The following guidelines provide information to minimize the risk of injury to users of pools, spas, and hot tubs.**

### **WARNING: TO REDUCE THE RISK OF ENTRAPMENT HAZARD**



Pool and spa pumps produce high levels of suction, which can pose extreme danger if a person comes in close proximity to an open pool or spa drain or if a drain cover is loose, cracked, broken or missing. Pool and spa pumps move large volumes of water, which can pose extreme danger if a person's hair comes in close proximity to a drain that is not the proper size for the pump or pumps.

If not an approved single, unblockable outlet, a minimum of two functioning suction outlets per pump must be installed. Suction outlets in the same plane (i.e. floor or wall) must be installed a minimum of three (3) feet (1 meter) apart, as measured from center point to center point. Dual suction fittings shall not be located on seating areas or on the backrest for such seating areas. If any suction outlets are located closer they shall be located on two different planes (i.e. one on the bottom and one on the vertical wall, or one each on two separate vertical walls).

**WARNING:** Failure to keep suction outlet components clear of debris, such as leaves, dirt, hair, paper and other material can result in an increased potential for suction entrapment.

If not a single, unblockable outlet, in the event of one suction outlet being completely blocked, the remaining suction outlets serving the system shall have a flow rating capable of the full flow of the pump(s) or the specific suction system. If in doubt about the rating and/or head loss curve of your system, consult a qualified pool or spa professional and/or your respective equipment manufacturer(s). Also, double check with your local building/health authorities regarding single vs. multiple drain installations, etc.

Regularly inspect all drain covers for cracks, damage and advanced weathering. If a drain cover becomes loose, cracked, damaged, broken or is missing, close the pool or spa immediately, post a notice and keep the pool or spa closed until an appropriate VGB 2008 certified drain cover is properly installed.

### **WATER VELOCITY AND FLOW RATES**

The maximum water velocity through drain covers is limited by some local regulations, for example some state health departments limit the velocity through public pool drain covers to 1.5 feet per second. This velocity limit is lower than the flow rating provided by the ANSI/APSP 16 certification; therefore local limit applies and must be followed. Never exceed the flow rating listed on the cover even if local code does not provide a velocity limit.

For additional information on proper installation refer to The Association of Pool & Spa Professionals ANSI/APSP-7 Standard and the US Consumer Product Safety Commission Guidelines for Entrapment Hazard.

---

## General Safety Instructions - continued

---

### VGB Compliance

#### VIRGINIA GRAEME BAKER POOL AND SPA SAFETY ACT

The Virginia Graeme Baker Pool and Spa Safety Act raises certain new requirements on owners and operators of swimming pools and spas.

Pools or spas constructed on or after December 19, 2008, shall utilize:

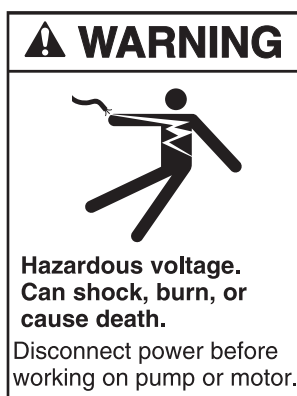
- (A) No submerged suction outlets, a gravity drainage system with ASME/ANSI cover(s), one or more unblockable outlets; or
- (B) A multiple main drain system without isolation capability with suction outlet covers that meet ASME/ANSI A112.19.8 Suction Fittings for Use in Swimming Pools, Wading Pools, Spas, and Hot Tubs and either:
  - (i) A safety vacuum release system (SVRS) meeting ASME/ANSI A112.19.17 Manufactured Safety Vacuum Release Systems (SVRS) for Residential and Commercial Swimming Pool, Spa, Hot Tub, and Wading Pool Suction Systems and/or ASTM F2387 Standard Specification for Manufactured Safety Vacuum Release Systems (SVRS) for Swimming Pools, Spas and Hot Tubs or
  - (ii) A properly designed and tested suction-limiting vent system or
  - (iii) An automatic pump shut-off system.

Pools and spas constructed prior to December 19, 2008, with a single submerged suction outlet shall use a suction outlet cover that meets ASME/ANSI A112.19.8 and either:

- (A) A multiple main drain system without isolation capability, or a single (VGB 2008 compliant) unblockable suction outlet, or
- (B) A safety vacuum release system (SVRS) meeting ASME/ANSI A112.19.17 and/or ASTM F2387, or
- (C) A properly designed and tested suction-limiting vent system, or
- (D) An automatic pump shut-off system, or
- (E) Disabled submerged outlets, or
- (F) Suction outlets shall be reconfigured into return inlets.

For more information about the Virginia Graeme Baker Pool and Spa Safety Act, contact the Consumer Product Safety Commission at (301) 504-7908 or visit [www.cpsc.gov](http://www.cpsc.gov).

### **WARNING - Risk of Electrical Shock or Electrocution**



*Pool pump must be installed by a licensed or certified electrician or a qualified pool serviceman in accordance with the National Electrical Code and all applicable local codes and ordinances. Improper installation will create an electric hazard which could result in death or serious injury to pool users, installers, or others due to electrical shock, and may also cause damage to property.*

***Always disconnect power to the pool pump at the circuit breaker before servicing the pump. Failure to do so could result in death or serious injury to serviceman, pool users, or others due to electric shock.***

---

# 2 General Description

---

## Badu®Stream II

The Badu SwimJet Systems from Speck Pumps are designed to be installed during the construction of your pool to create a water treadmill for anyone wanting a therapeutic and effective exercise.

The Badu SwimJet Systems can be installed in any type of pool, large or small, from gunite to vinyl liner. It has no protruding parts ensuring pool user's safety, is very compact and installs at minimal cost. The self-contained, flush-mounted unit is a jet-propulsion system that pumps water into the pool creating a current in excess of 5,700 gallons per minute from a single recessed jet housing.

Topping off the experience is the pulsating massage hose which can be attached to the jet nozzles for easy and convenient massage treatments for joints and muscles. *(NOTE: The massage hose is sold separately.)*

---

# 3 Installation Information

---

## Receiving Information

---

1. Upon receipt of the swimjet system, check the cartons for damage. Open each carton and check the pump(s), jet housing(s), and control box for concealed damage, such as cracks, dents, or a bent base. If damage is found, contact the shipper or distributor where the swimjet was purchased.

2. Inspect the contents of each carton and verify that all parts are included. *(See Image 1)*

- A. Flush-mount jet housing
- B. Square, anti-entrapment cover (8<sup>1</sup>/<sub>4</sub>" x 8<sup>1</sup>/<sub>4</sub>" undetectable pump suction. *(Optional Round Cover available)*)
- C. Adjustable water flow jet nozzle
- D. Air regulator adjusts amount of air bubbles in water flow.
- E. Control box with GFCI, air button, and air tubing.
- F. Speck 4 HP Model 21-80/33GS or 3.5 HP Model 72-VI self-priming, single phase plastic pump with built-in thermal overload *(no motor starter required)*. Optional three phase pump and control box available. *(NOTE: Flooded suction pump available for installation below water level.)*
- G. Pulsating massage hose. *(NOTE: The massage hose is sold separately.)*

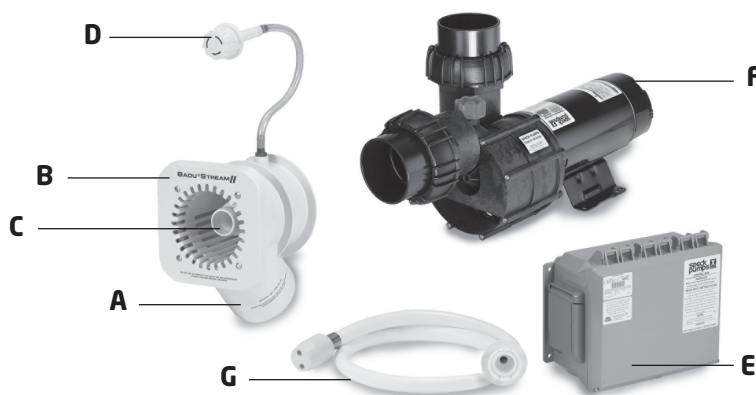


Image 1  
BaduStream II System (1 jet & 4 HP pump)

---

## Plumbing Installation

---

**CAUTION:** The discharge connection is at the center of the back of the jet housing. The suction connection is at the bottom of the jet housing.

**CAUTION:** The suction line should remain below water level from the suction connection at the jet housing to a point directly beneath the pump.

**CAUTION:** The center of the BaduStream jet nozzle(s) must be located 12" **BELOW** the water line for maximum performance and efficiency. The air regulator(s) should be located 3-4" **ABOVE** the water line.

**CAUTION:** In areas with soft soil conditions or with frequent earth movement, a flexible section of 4" hose should be installed at the back of the jet housing to prevent plumbing or jet housing damage.

**CAUTION:** For trouble-free pump priming (up to 4 feet above the water line), first install a 6" long riser in the discharge connection on top of the pump(s). Then install an elbow and lead the discharge line(s) downward to the discharge connection(s) at the BaduStream jet housing(s) (Not required with 3.5 HP pump Model 72). On systems with 3 jet housings and 2 pumps, check valves **MUST** be installed at the discharge connections at each pump.

**CAUTION:** Allow at least 12 hours curing and bonding time. Insufficient curing and bonding times can result in leaks and flooding.

**CAUTION:** Throughout the entire installation, make sure the plumbing connected to the BaduStream jet housing is well supported. Unsupported plumbing **WILL** crack the jet housing.

**CAUTION: DO NOT** use the pump as a fixed point (support) for the plumbing.

**CAUTION:** When using 6" pipe, install 6" x 4" reducer bushings as close to the jet housing(s) as possible. For systems with 2 or 3 jet housings, install the 6" x 4" reducer bushings as close to the 4" manifold tees as possible. The 6" suction line should be run from the jet housing(s) and remain under the water line to a point directly beneath the pump. Install a 6" elbow at that point. Then run 4" pipe vertically up to the suction connection of the pump and finish with a 4" elbow.

- For optimal performance, use 4" plumbing when the total distance between the pump and jet housing is 30 ft or less. The plumbing should be as direct and free from turns or bends as possible because **elbows and other fittings can create large friction losses and reduce the performance of the system. The shortest length of pipe with the minimum number of fittings possible should be used to avoid any significant friction loss due to the pipe and fittings.** NOTE: Refer to Figure 2 for the BaduStream head loss curve.
- A maximum of seven (7) 90° elbows may be used with 30 ft of horizontal 4" pipe for the suction line and 30 ft of horizontal pipe for the discharge line without negatively affecting the performance of the system. NOTE: This applies to each individual pump used on the system. Refer to Figure 4 for the maximum TDH allowed to achieve recommended flow rates.
- If more elbows are required for the installation, 4" sweeps must be used in place of the elbows. When using sweeps instead of elbows, a maximum of nine (9) 4" sweeps may be used with 30 ft of horizontal 4" pipe for the suction line and 30 ft of horizontal 4" pipe for the discharge line without negatively affecting the performance of the system. NOTE: This applies to each individual pump used on the system. Refer to Figure 4 for the maximum TDH allowed to achieve recommended flow rates.
- If the pump(s) cannot be located within 30 ft of the jet housing(s) using the maximum number of 4" elbows or sweeps stated above, then 6" plumbing must be used. For the suction line, use 6" plumbing and fittings from the connection at the jet housing (or at the manifolds for two and three jet systems) to a point directly beneath the pump. From that point, install a 6" elbow. Then run 4" pipe vertically up to the suction connection of the pump and finish with a 4" elbow. For the discharge line, 6" plumbing should be installed from the discharge connection of the pump all the way to the pressure connection of the jet housing (or manifolds for two and three jet systems).
- For two and three jet systems, the jet housings **must be installed as close to 10" center to center as possible for maximum performance. DO NOT install the jet housing more than 12" apart on center.** (See Figure 1 & 1A)



# Plumbing Installation - continued

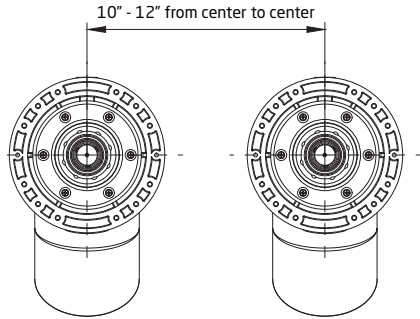


Figure 1  
Two Jet (10" - 12" from center to center)

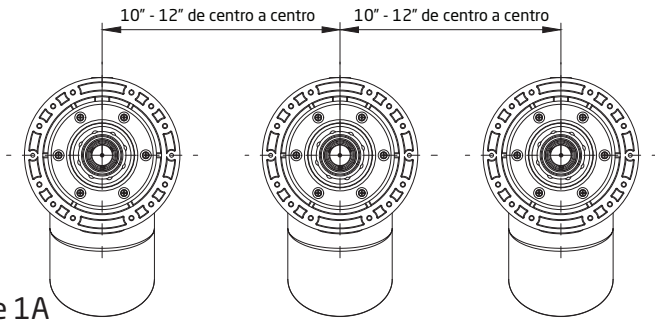


Figure 1A  
Three Jet (10" - 12" from center to center)



NOTE: Suction lines which are too long have significant disadvantages:

- Higher resistance which results in less efficient priming and a higher risk of cavitation.
- Longer priming time (up to 12 min).
- Keep the suction and pressure lines as short and straight as possible.
- If the pump is positioned further away, then the pipe dimensioning has to be adapted so that almost loss-free flowing is ensured.

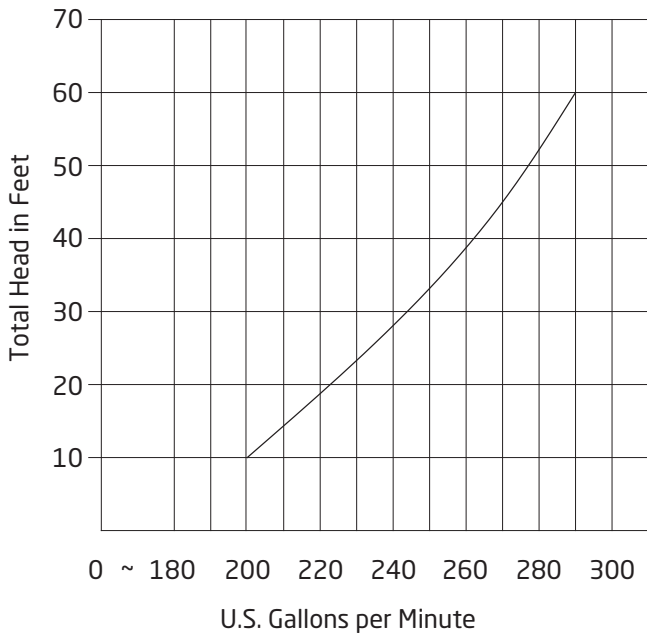


Figure 2  
BaduStream II Head Loss Curve (Single Jet Housing)

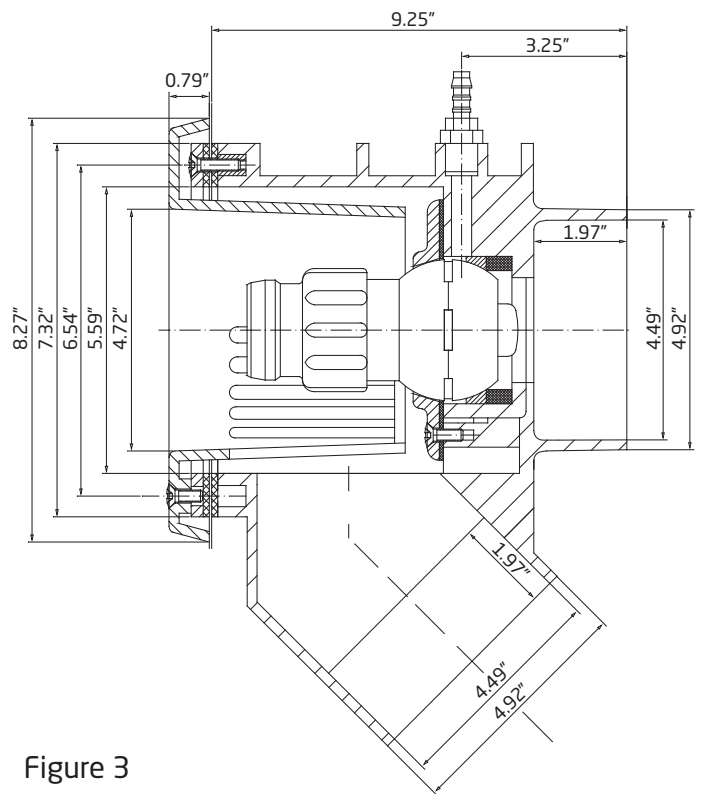


Figure 3  
BaduStream dimensional drawing

## Plumbing Installation - Continued

**NOTE:** The BaduSteam assembly package contains all necessary parts for the installation of the unit into concrete, gunite, liner or fiberglass pools.

**CAUTION:** All necessary screws and bolts included with the BaduStream are stainless steel. ALL screw threads and threaded inserts are METRIC! ONLY METRIC bolts and nuts may be used! The two exceptions are the suction and discharge connections on the BaduStream and pump housing (4" slip connections) and the mounting hardware for the air regulator assembly (1/4 -20 threads). All screws should be **HAND TIGHT**. **DO NOT** use drills or pneumatic tools. **DO NOT** over tighten!

Plumbing Requirements					
BaduStream //	Pump	Distance	Pipe Size	Approx. Flow	TDH
Three Jets	(2) 4 HP	10 to 30 ft.	4"	651 GPM	42 ft
		up to 50 ft.*	6"	651 GPM	42 ft
Two Jets	4 HP	10 to 30 ft.	4"	380 GPM	34 ft
		up to 50 ft.*	6"	400 GPM	32 ft
One Jet	4 HP	10 to 30 ft.	4"	217 GPM	53 ft
		up to 50 ft.*	6"	217 GPM	53 ft
One Jet	3 HP	10 to 30 ft.	4"	200 GPM	12 ft
		up to 50 ft.*	6"	200 GPM	12 ft

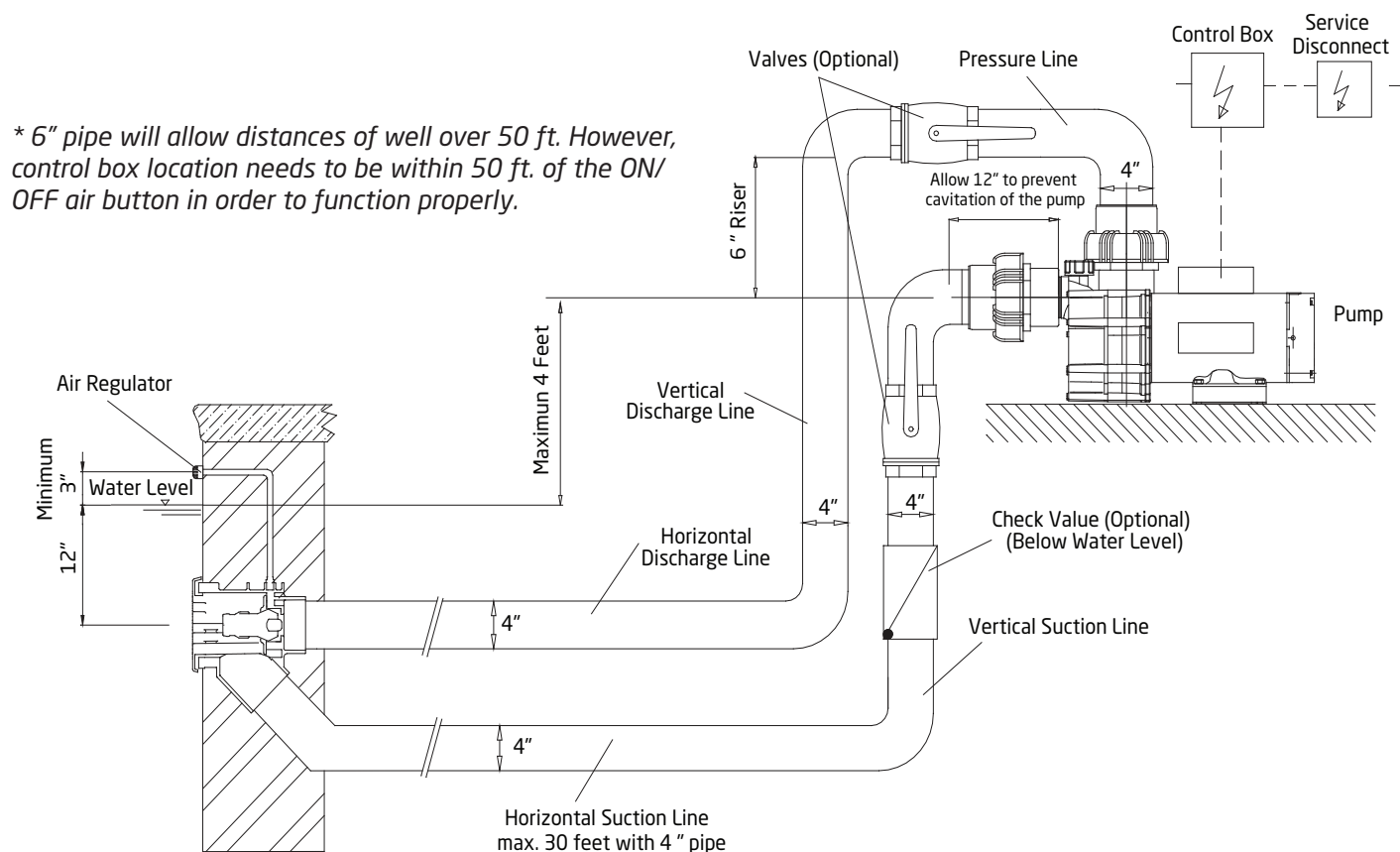


Figure 4

**NOTE:** Valves are recommended when pump is installed below water level (flooded suction applications).

**NOTE:** To avoid stress on the jet housing, the jet housing and 2 to 3 inches of plumbing stub out may be encased in gunite or concrete.

**Plumbing Installation - Continued**

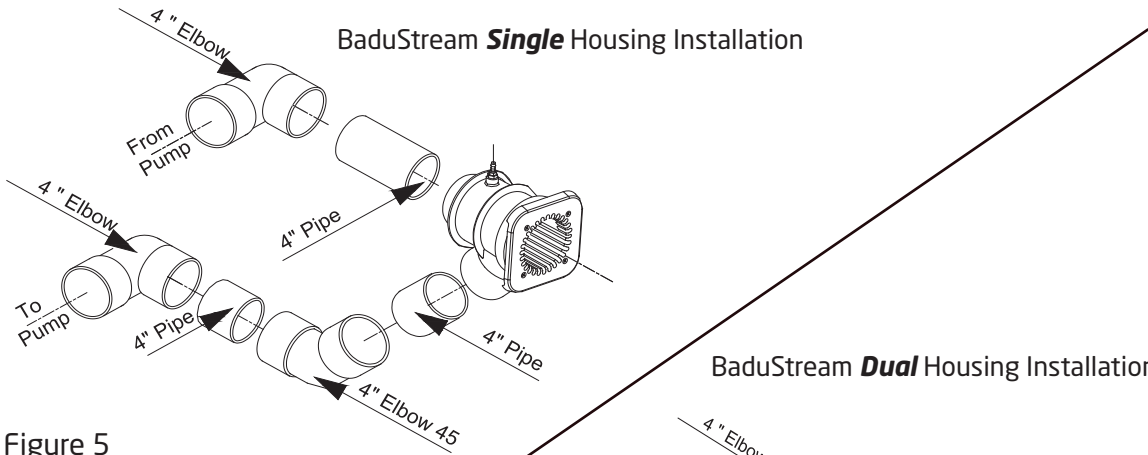


Figure 5

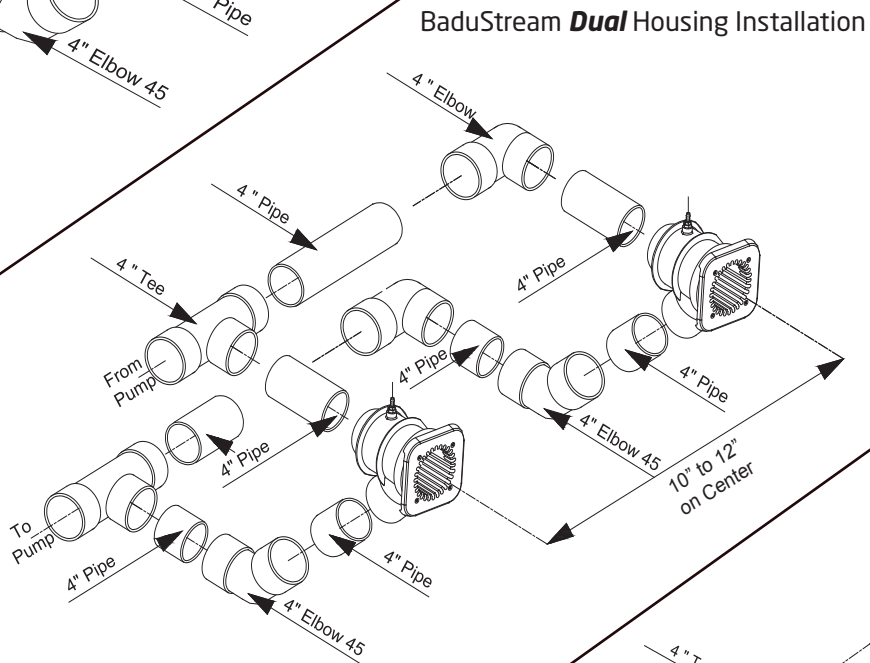


Figure 6

**NOTE:** (For *Dual* and *Triple* Jet Installation)  
 Increase the pipe size to 6\" when jets are more than 30 ft. from the pump. Use 6\" x 4\" bushings after 4\" manifold tees.

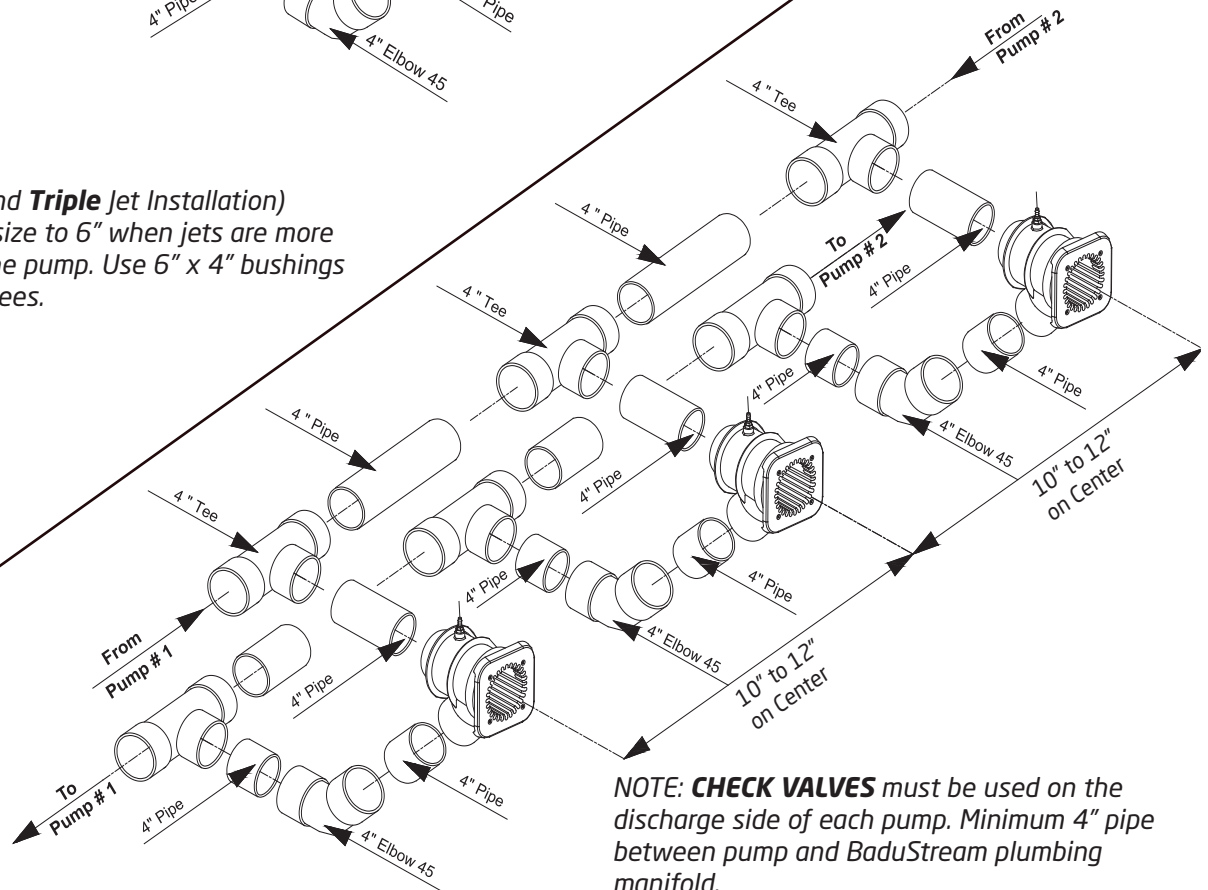


Figure 7  
 BaduStream *Triple* Housing Installation

**NOTE: CHECK VALVES** must be used on the discharge side of each pump. Minimum 4\" pipe between pump and BaduStream plumbing manifold.

## Concrete or Gunite Installation

**NOTE: The following parts ARE NOT USED IN A GUNITE or CONCRETE INSTALLATION:**

- Clamping Ring (Part #3)
- Clamping Ring Gasket (Part #12)
- 1/4-20 x 1-1/2" Bolt (Part #18)
- 1/4-20 Nut (Part # 19)
- 1/4" Washer (Part #20)
- Air Regulator Gasket 60 x 11 x 2 mm (Part #21)
- #14 x 1" Screw (Part #27)

### 1. Pre-plumb BaduStream jet housing(s):

- A. Install plumbing manifold (for two and three jet systems) or approximately 12" of 4" SCH 40 pipe (for single jet systems) to both suction and discharge fittings on the jet housing(s). See Figure 8.
- B. Thread one (1) air regulator hose nipple into the top of each jet housing. Secure plastic air regulator hose (part #15) to the air regulator hose nipple(s) (part #14) using the hose clamp(s) (part #16).

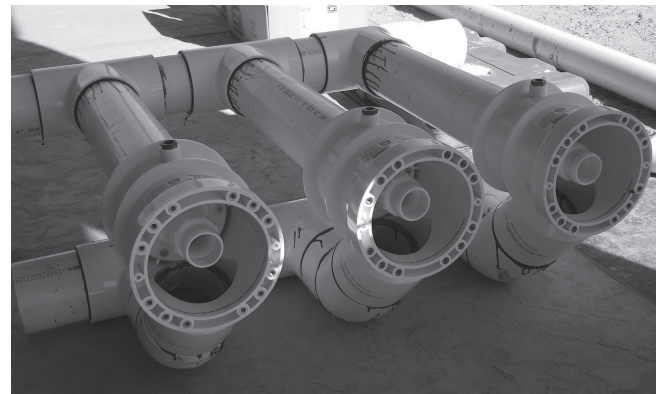


Figure 8  
Pre-Plumbed Jet Housings

### 2. Tape the jet housing(s) to keep concrete out of threaded inserts and out of the inside of the housing(s). See Figure 9.

### 3. Place the jet housing(s) between the steel rebar. **Note: Jet housing location is very important.**

- A. Make sure that the air regulator hose nipple (part #14) is at the top and center of each jet housing. **Failure to do so will result in the square cover (part #8) appearing uneven.**
- B. The center of each jet housing (the nozzle) must be located **12" BELOW** the water line for maximum performance and efficiency.
- C. Recheck the location of the jet housing while applying gunite or pouring concrete. Make sure the jet housing remains properly aligned and level.
- D. Front edge of each jet housing should finish even with inside pool wall. Scrape out a V-shaped groove around the jet housing, approximately 1-1/2" deep to allow marcite to seal against the jet housing. See Figure 10.
- E. To avoid stress on the housing, the jet housing and 2 to 3 inches of plumbing stub out may be encased in gunite or concrete. **Caution: Too much stress on the plumbing may crack the BaduStream II housing.**

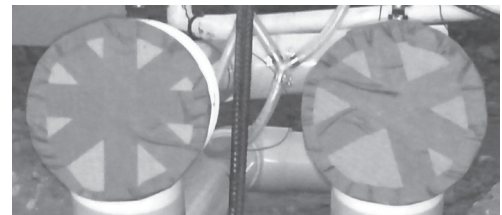


Figure 9  
Taped Jet Housings



Figure 10  
V-Shaped Groove in Gunite

### 4. Install the air regulator. **NOTE: Air regulator location should be 3"-4" ABOVE the water level.**

- A. Thread one (1) air regulator hose nipple (part #14) into the back of the air regulator holder (part #17). Connect the free end of the plastic air regulator hose to the nipple on the back of the air regulator holder. Secure with a hose clamp (part #16).

## Concrete or Gunite Installation - continued

B. The air regulator can be located in the tile above the water level or in the deck. When tiling the pool, adjust the air regulator location so it is 3"-4" **ABOVE** the water level. Place and set with hydraulic cement. The air regulator holder (part #17) should finish flush with the inner pool wall. Drill a 1/2" hole in the tile line even with the center hole of the air regulator holder. Tile over the air regulator holder. **CAUTION: DO NOT** plug the center hole of the air regulator holder.

C. Insert the M10 x 80 mm brass screw (part #24) through the bottom part of the air regulator (part #23), the 42 x 11 x 2 mm and the air regulator gasket (part #26). Thread the M10 x 80 mm brass screw into the center of the air regulator holder (part #17). Tighten with a flat head screw driver.

D. Install the hose ring (part #25) and snap the top part of the air regulator (part #22) into place. See Figure 11 for air regulator assembly.

5. Keep all parts not being used now in original box. Store in a safe place until needed.

*NOTE: An extension ring and longer square cover screws (part #9/5) are available (upon request) for applications where the housing is recessed into the pool wall.*

6. Once the concrete or gunite is fully cured and pool wall is completed, install the square cover (part #8) using the four (4) M6 x 25mm square cover screws (part #9/1).

*NOTE: In tile installations, the tile thickness can be compensated for by first installing the clamping ring gasket (part #12) and clamping ring (part #3) before installing the square cover. The clamping ring and clamping ring gasket are installed using the eight (8) clamping ring screws (part #9/2, 9/3, or 9/4).*

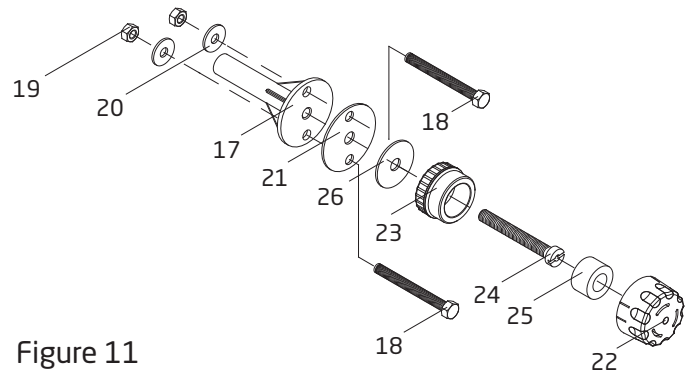


Figure 11  
Air Regulator Assembly

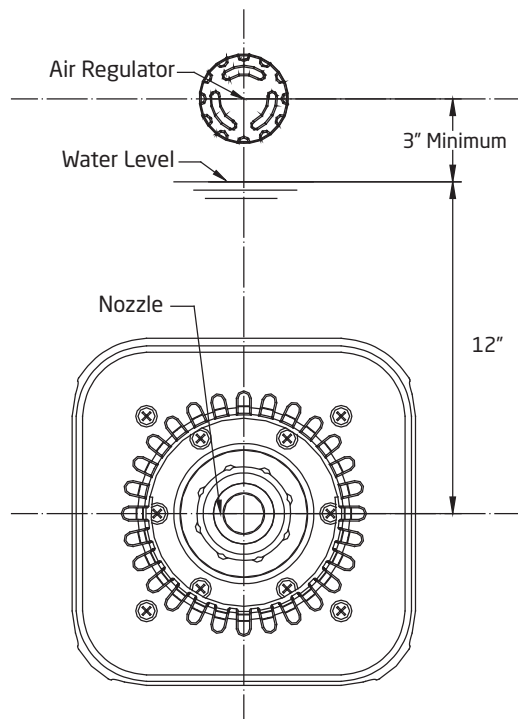


Figure 12  
Installation in Concrete or Gunite Pools

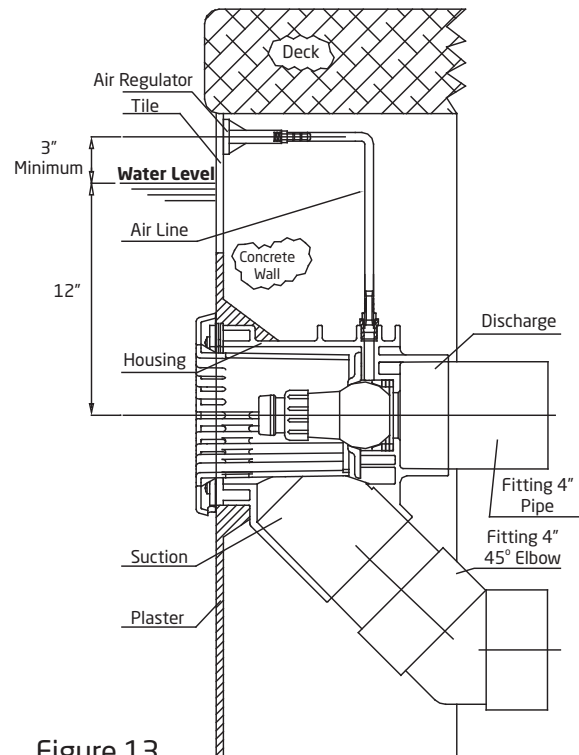


Figure 13  
BaduStream in Concrete or Gunite Pool.

## Liner and/or Fiberglass Pool Installation

1. Using the clamping ring (part #3) as a template, drill holes in the pool wall for installation. The center line of the clamping ring should be 12" **BELOW** the water level (See Figures 14 & 15). Two additional holes will need to be drilled at the 3 and 9 o'clock positions for installation of the jet housing (part #7). The four brass inserts in the clamping ring should be at the 2, 4, 8 and 10 o'clock positions (See Figure 14).

2. Mount the housing (part #7) and one clamping ring gasket (part #12) on **BEHIND** the pool wall using two (2) #14 x 1" counter sunk screws (part #27). Install the screws from the inside of the pool wall through the holes drilled at 3 and 9 o'clock positions. (See Figure 14)

3. Install the clamping ring (part #3) and a second clamping ring gasket (part #12) in **FRONT** of the pool wall using eight (8) M6 screws (part # 9/2, 9/3, or 9/4). Screw lengths vary depending on the installation. *NOTE: A good RTV silicone may be used with the gasket when mounting the jet housing, but in most cases is not necessary. Installer should decided whether or not the silicone is necessary.*

*NOTE:* When installed properly, the center of the housing (part #7) will be 12" **BELOW** the surface of the water and the air regulator hose nipple (part #14) will be at the top center of the jet housing.

**CAUTION:** When installing the BaduStream Cover (part #8). Use a Phillips head screw driver and tighten to 1.5 Nm or hand tight. **DO NOT** use electrical or air drills. (*NOTE: The square cover, part #8, will have an uneven appearance if the housing is not installed properly.*)

4. For the air regulator assembly, one 1/2" hole must be provided, preferably along the vertical axis, approximately 3-4" **ABOVE** the water line. (See Figures 14 & 15). Using the 60 x 11 x 2mm air regulator gasket (part #21), mark and drill two 1/4" mounting holes (See Figure 14). Use the two (2) 1/4 - 20 air holder screws (part #18) and two 1/4-20 air holder nuts (part #19) to mount the air regulator holder.

*NOTE: Part #18 & Part #21 go in FRONT of the pool wall; Part #19 & Part #17 go BEHIND the pool wall.*

5. Keep all parts not being used now in original box. Store in a safe place until needed.

6. Once the pool is complete, install the square cover (part #8) using the four (4) square cover screws (part #9/1).

**For Liner Pools Only:** Install the jet housing and air regulator prior to installation or replacement of the pool liner.

**For Steel Walled Pools:** An optional butterfly gasket (part #12.1) maybe purchased to replace the two (2) clamping ring gaskets (part #12). Increase the jet housing hole in Figure 14 from 5.59" to 5.75" for installation.

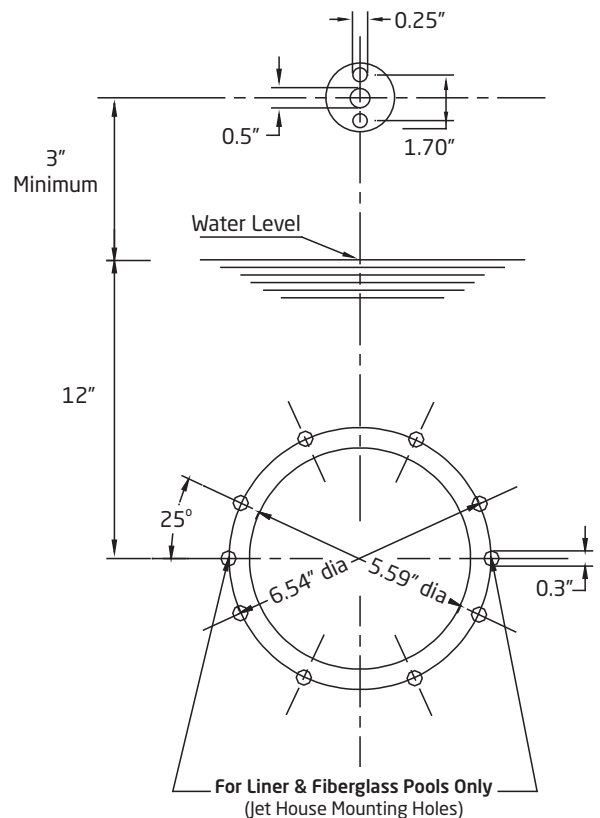


Figure 14  
Cutout Pool Wall for BaduStream housing.

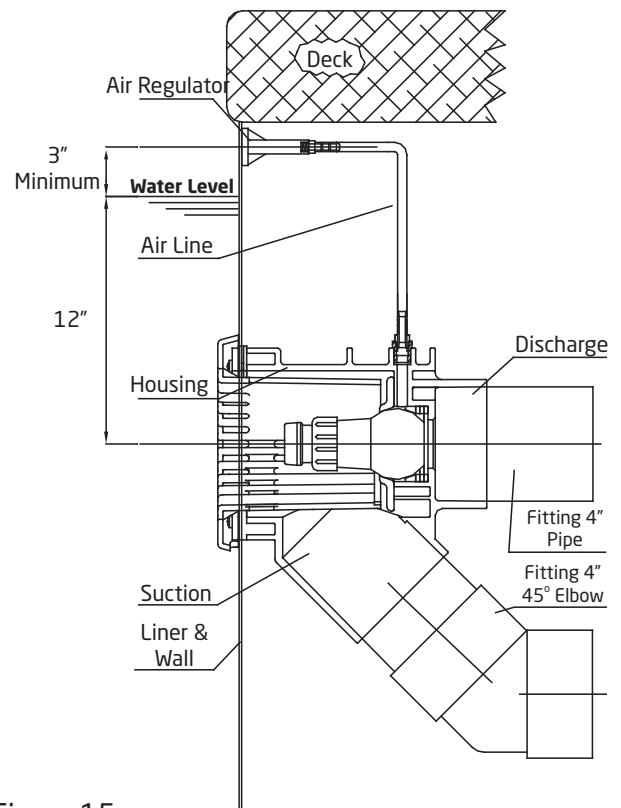


Figure 15  
BaduStream in Liner or Fiberglass Pool.

---

## Removal of Liner

---

When replacing liner or removing liner for repairs; remove the four (4) screws (*part #9/1*) which hold the square cover (*part #8*) to the jet housing. Remove all screws (*part #9/2, 9/3 & 9/4*) except the top two, which hold the clamping ring (*part #3*) and gasket (*part #12*) to the jet housing. Back out the two remaining screws approximately halfway and check for any movement of the jet housing from the wall. (*NOTE: If the two counter sunk screws (part #27) which hold the jet housing to the wall were installed, the jet housing should not move, and the two remaining screws can be removed.*) Remove one of the remaining two screws and slide the clamping ring (*part #3*) to the side. Replace all the screws before removing the last screw. Remove or replace the liner. Reverse the process to install liner.

*NOTE: When replacing the clamping ring and screws: locate screw heads under liner, make a small cut on the liner at the screw heads and push the liner over the screw head.*

---

## Pump and Control Box Installation

---

**WARNING:** *The wiring of the pool motor and control box should be done by a licensed electrician in accordance with all local, state, and federal codes. Be certain that the motor frame and control box are properly grounded. Motor name plate lists voltage, phase, amp draw, and other information as well as wiring connection instructions.*

This section concerns the electric motor and control box for BaduStream II swimjet system.

**CAUTION:** *Before installing the Speck Pump, read the entire pump owner's manual found in the pump box.*

Consult local codes for minimum distance between pump and pool. Locate pump as close to the pool as practical.

**CAUTION:** *There is 50 ft of air tubing included with the BaduStream II swimjet system. The control box should be located within this distance of the air button. If a longer distance is required, please contact the factory regarding the use of smaller diameter air tubing.*

**BONDING:** As required by National Electrical Code, the pump motor must be electrically bonded to the pool structure (reinforced bars, etc.) by a solid copper conductor not smaller than No. 8 AWG via the external copper bonding lug on the pump motor.

**GROUNDING:** Permanently ground the pump motor and control box using a conductor of appropriate size.

- **Pump Motor:** Connect to the #10 green headed ground screw provided inside the motor terminal box.
- **Control Box:** Connect to the aluminum grounding terminal strip on the inside of the control box enclosure.

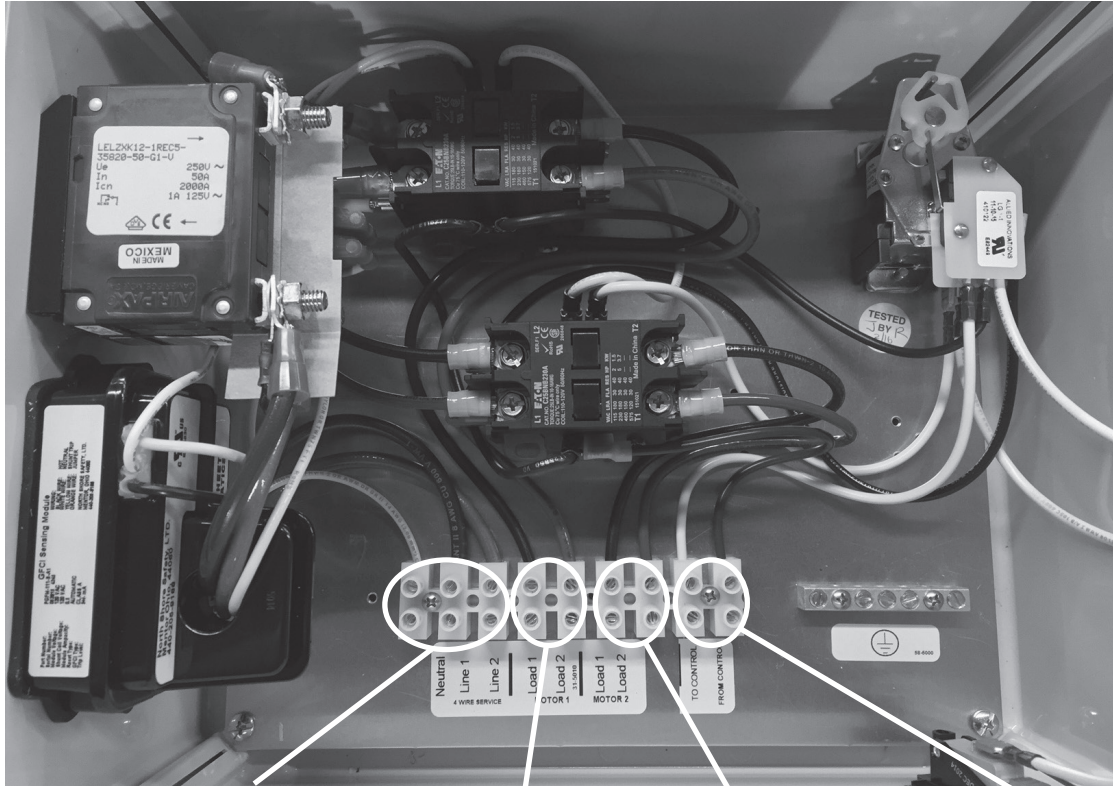
**CAUTION: DO NOT** *connect to electric power supply until the unit is permanently grounded.*

*NOTE: Single phase control boxes equipped with GFCI are shown on pages 16-17. Other options are available. Please contact the factory (800) 223-8538 for assistance.*





# Pump and Control Box Installation - continued

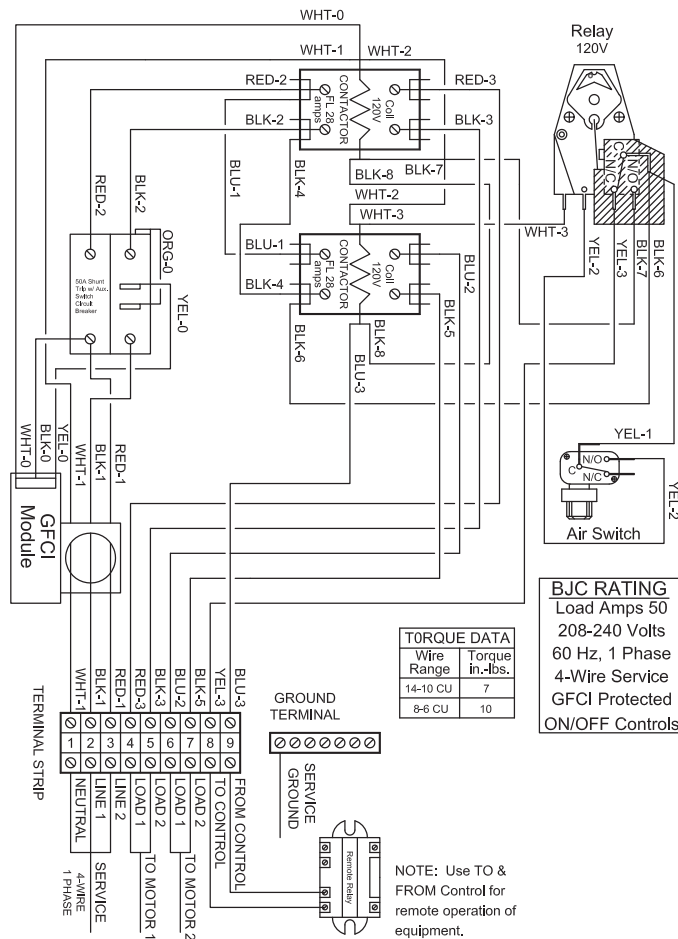


Power from main panel (230 VAC):  
Neutral, Line 1, Line 2

Power to pump motor 1  
(230 VAC): Load 1, Load 2

Power to pump motor 2  
(230 VAC): Load 1, Load 2

Connection to remote relay  
(120 VAC)



# 4 Service and Maintenance

## Nozzle Adjustment

To help set the nozzles in position for best performance, please follow these instructions:

1. Parts required:

- Quantity 2 - 4' x 1.5" PVC Pipe
- Quantity 2 - 1.5" MPT x 1.5"/1.25" Hose Adapter
- Quantity 2 - Female Adapter 1.5" Slip x 1.5" FPT

2. Turn off the jet pump(s).

3. Insert each jet adjustment tool into jet nozzle.

4. Bring the ends of the adjustment tools together so they are touching in between the jet housings. Then raise the tools so the ends touch the water surface. (See Figure 16)

5. Remove jet adjustment tool.

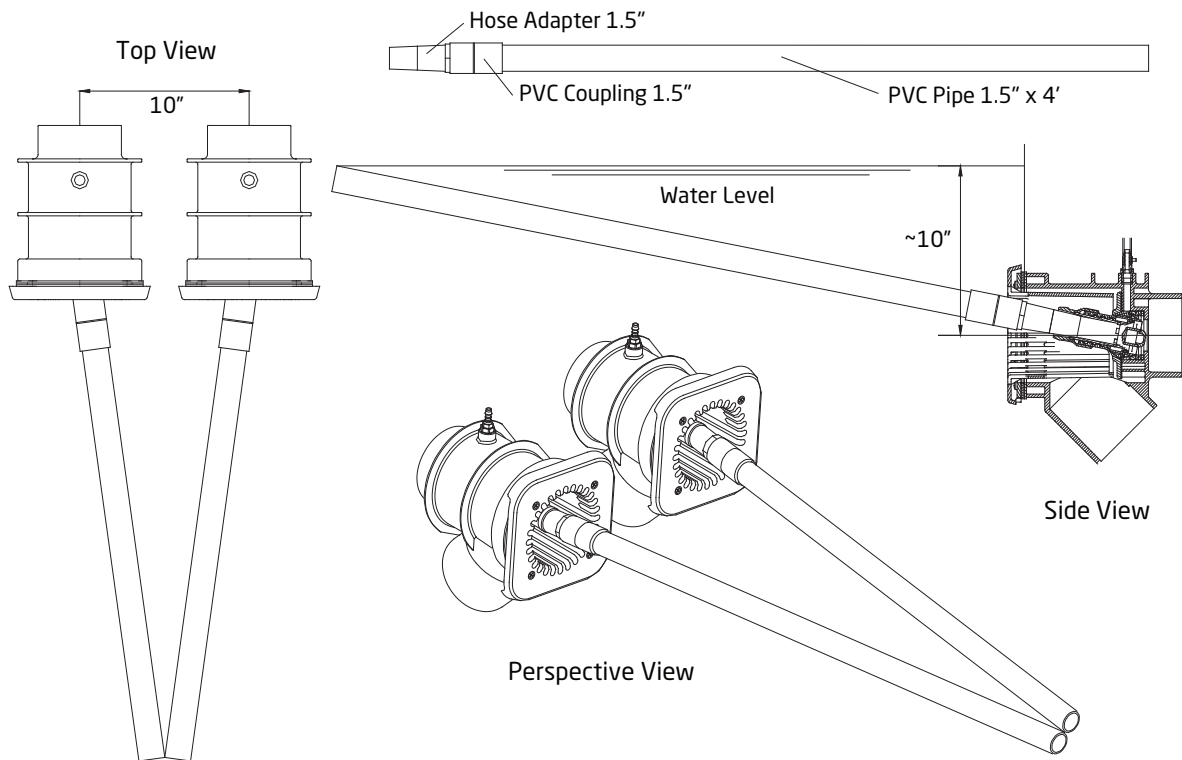


Figure 16  
BaduStream Nozzle Adjustment

## Winterizing

In areas subject to freezing water temperatures, you should protect your equipment. We recommend you purchase a winter cover kit part #2308752006K. This kit includes one (1) winter plate, one (1) gasket and four (4) screws.

Also, you can protect your swimjet system as follows: Drain pool until water level has dropped below the anti-entrapment cover. Then protect pump by removing drain plug and red filler plug (or lid).

---

# 5 Frequently Asked Questions

---

## **How is the current generated?**

The pump generates up to 400 GPM coming out of two (2) jet nozzles at 27 ft. per second and 36 ft. per second thru one (1) nozzle creating a swim current in excess of 5700 GPM, measured 6 ft. from the jet.

## **What size pool do I need?**

The BaduStream can be installed in any size pool. However, we recommend a minimum length of 14 ft. and a minimum width of a 7 ft. swimming lane.

## **What size plumbing is necessary? How far away from the BaduStream can the pump be installed?**

Use 4" plumbing up to 30 ft. For runs longer than 30 ft. use 6" plumbing. The pump should be placed as close to the BaduStream as local codes will allow. See plumbing installation on page 8 for more details.

## **How many amps does the pump operate at?**

4.0 HP: Maximum 21.0 - 19.4 amps @ 208-230 V

3.5 HP: Maximum 15.2 - 14.0 amps @ 208-230 V

## **What size breaker do I need?**

You must use a 40 amp breaker for the 4 HP pump or 30 amp breaker for the 3 HP pump to avoid nuisance tripping.

## **Is the BaduStream approved?**

Yes. The BaduStream swim jet system is listed by MET, UL and complies with UL standard 1563 Swimming Pool Equipment, ASME standard *ANSI/ASME A112.19.8 (ANSI/APSP-16, 2011)* Standard for Swim Jet Combination Fittings, and is VGB 2008 compliant.

## **Do the covers come in different colors?**

Yes. The round covers can be ordered in gray or black. The square cover is only available in black or white.

## **Does the air regulator come in different colors?**

Yes. The air regulator can be ordered in black.

## **Does it matter if the housing is installed higher or lower than the manual states?**

Yes, the center of the jet must be 12" **BELOW** estimated water level for proper performance of unit.

## **Can the air regulator be placed elsewhere?**

Yes, as long as it is not continuously flooded with water.

## **Can the pump be placed below water level?**

Yes. However, for best performance we recommend ordering a pump for flooded suction (Model 21-80/33G) instead of self-priming (Model 21-80/33GS). We recommend installing valves for ease of maintenance.

## **How far away can the air button function properly?**

A maximum of 50 ft. from the control box. Consult factory for distances over 50 ft.

## **Do I need to install a motor starter?**

In most case, no. All single phase pumps have built-in thermal overloads. Also, the three phase Model 21-80/33 has built-in thermal overload. Other three phase pumps require a motor starter.

## **Should this be tied into my filter system?**

No. The swim jet system and the filter system should not be plumbed together as they each provide very specific functions.

## **Can I use with automated controls?**

Yes. It comes with the ability to tie into automated control systems or other switching devices.

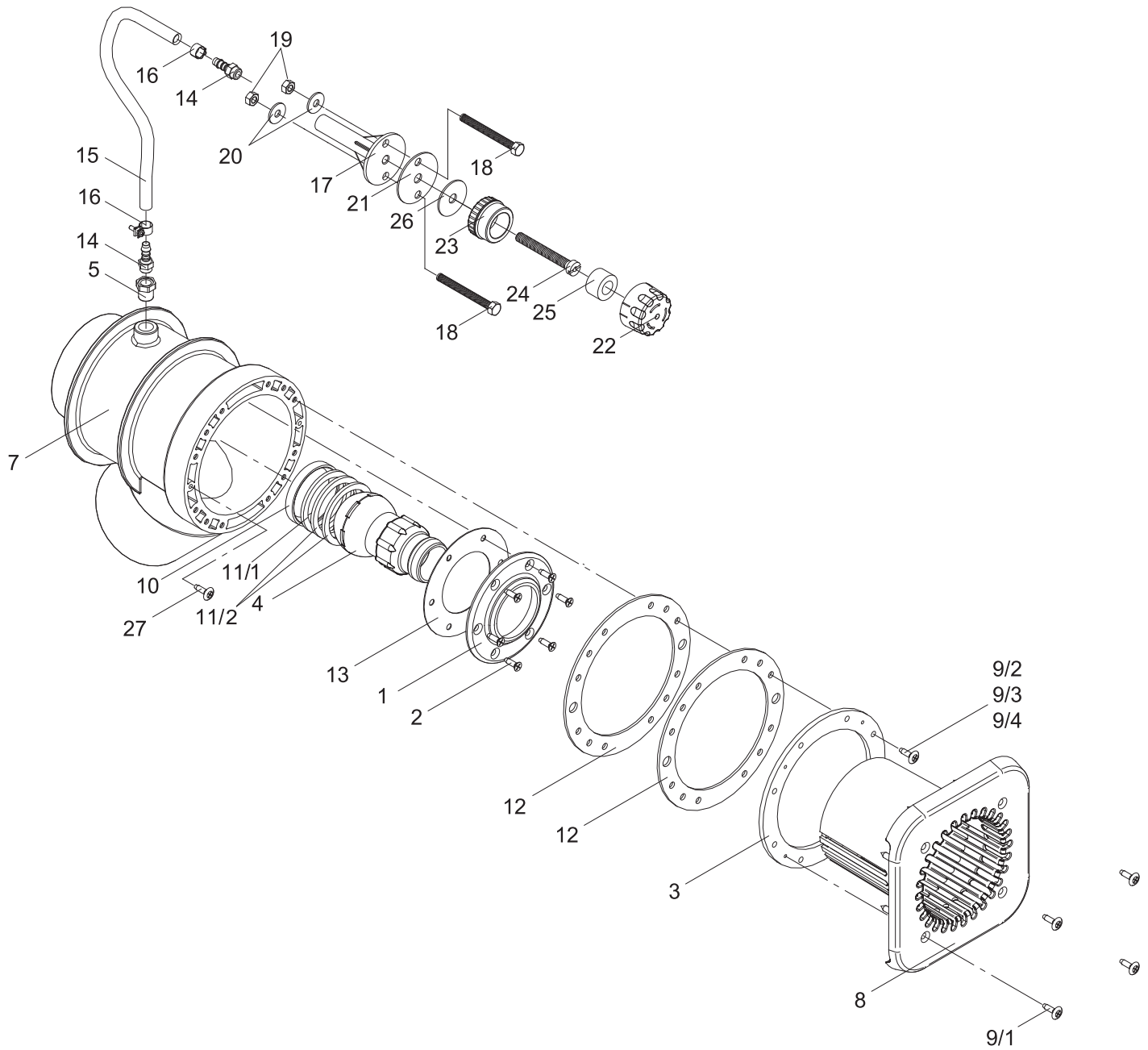
## Trouble Shooting

PROBLEM	POSSIBLE CAUSES	SOLUTION
1. Pump will not prime.	<p>a. Suction air leak.</p> <p>b. No water in pump.</p> <p>c. Closed valves or blocked lines.</p> <p>d. Low voltage to motor.</p>	<p>Make sure the red filler plug and o-ring are clean and properly positioned. Tighten red filler plug. Tighten all pipes and fittings on suction side of the pump. Be sure water in the pool is high enough to flow through the jet housing.</p> <p>Make sure pump housing is full of water.</p> <p>Open all valves in system. Open pump and check for clogging of impeller.</p> <p>Check voltage at motor. If low, pump will not come up to speed.</p>
2. Motor does not turn.	<p>a. No power to motor.</p> <p>b. Pump jammed.</p>	<p>Check that all power switches are on. Be sure fuse or circuit breaker is properly set. Check motor wiring at terminals.</p> <p>With power off, turn shaft. It should spin freely. If not, disassemble and repair.</p>
3. Low flow.	<p>a. No water in pump.</p> <p>b. Closed valves or blocked lines.</p> <p>c. Low voltage to motor</p>	See problem 1.
4. Noisy operation of motor.	a. Bad bearings.	Check for noise when shaft is turned by hand. Motor will be very hot in bearing area when running. Replace bearing.
5. Motor runs hot.	These motors will run hot to the touch, however, this is normal. They are designed that way. Thermal overload protector will function to turn them off if there is an overload or high temperature problem. Excessive heat can be caused by:	
	<p>a. Low voltage.</p> <p>b. Installed in direct sun.</p> <p>c. Poor ventilation.</p>	<p>Increase size of electrical wire. Be sure motor is operating on correct voltage.</p> <p>Shield motor from sun's rays.</p> <p><b>DO NOT</b> block motor ventilation openings.</p>
6. Noisy operation of pump.	<p>a. Air leak in suction line.</p> <p>b. Restricted suction line due to blockage or under size pipe. Indicated by high vacuum reading at pump suction.</p> <p>c. Foreign matter (gravel, metal, etc.) in pump impeller.</p> <p>d. Cavitation.</p>	<p>Repair leak. Check suction pipe, red filler plug, and o-ring (See Problem 1).</p> <p>Remove blockage or increase suction pipe size. Are all suction valves fully open?</p> <p>Disassemble pump and remove foreign matter from impeller.</p> <p>Improve suction conditions. (Reduce suction line length, reduce number of fittings, increase pipe size.)</p>

## Trouble Shooting - continued

PROBLEM	POSSIBLE CAUSES	SOLUTION
7. Motor overload protection "kicks out".	a. Motor is not connected properly. b. Low voltage due to under size wire or low incoming voltage. c. Wrong size heaters in protective device. d. Overload due to binding in pump or wrong size impeller.	Check wiring diagram on motor. Check with volt meter. Increase size of supply wire. Report low supply voltage to power company. Voltage at motor must be within 10% of motor nameplate voltage. Heaters should be one size larger than full load amps shown on motor nameplate. Indicated by high amperage readings on motor, binding shaft. Disassemble unit and correct.
8. My ON/OFF air button is not working properly?	a. Control Box. b. Air tubing.	Check GFCI. If green LED does not stay ON, contact a certified electrician to diagnose control box components. Check air tubing connection on the control box. Check that the tubing is not bent or pinched. Tubing may need to be replaced.
9. The system will not turn OFF?	a. Control Box Components.	Press TEST button on the control box GFCI to turn off system. Contact a certified electrician to diagnose control box components.
10. I have adjusted the nozzles but the flow is weak?	a. Debris in pump casing/impeller. b. Improper swim jet assembly.	Check inside pump casing for any debris. The internals may need to be removed for inspection.
11. The plastic cover is cracked.		To order contact the factory at 800-223-8538.

# 6 Product Specification



## Exploded View

PART NUMBER	DRAWING NUMBER	QTY REQUIRED	DESCRIPTION
2306002009	1	1	FACE RING - NOZZLE
5879006020	2	6	THREAD CUTTING SCREW - FACE RING K60 x 20 A2
2308762004	3	1	RING - CLAMPING
2302002854	4	1	NOZZLE - ADJUSTABLE FLOW 40mm
2308761001A	5 & 7	1	HOUSING WITH REDUCER BUSHING 16mm x 1/4"
2308750003	8	1	COVER - SQUARE AE
5879650625	9/1	4	SCREW - SQUARE COVER, PHILLIPS/PAN M6 x 25mm
2991000077	9/2	8	SCREW - CLAMPING RING, PHILLIPS FLAT HEAD M6 x 20mm
5879650625	9/3	8	SCREW - CLAMPING RING, PHILLIPS/PAN M6 x 25mm
5879650640	9/4	8	SCREW - CLAMPING RING, PHILLIPS/PAN M6 x 40mm
2991000038	9/5	4	SCREW - SQ.COVER (EXT. RING) SLOT/PAN M6 x 45mm
2302002056	10	1	SEAT - NOZZLE
2302002057	11/1	1	SPACER - NOZZLE 6.2mm
2302002157	11/2	2	SPACER - NOZZLE 4mm
2308750005	12	2	GASKET - CLAMPING RING
2306002013	13	1	GASKET - FACE RING
2303004000	(14-21)	1	HOLDER WITH HOSE SUBASSEMBLY
2301001005	14	2	NIPPLE - HOSE, AIR REGULATOR, PLASTIC 1/4"
2301001007	15	1	HOSE - AIR REGULATOR, PLASTIC 8 x 3mm
2301001008	16	2	CLAMP - HOSE, AIR REGULATOR 14/9 SS A4
2301001009	17	1	HOLDER - AIR REGULATOR
2991000049	18	2	SCREW - AIR HOLDER, SLOT/PAN 1/4-20 x 1-1/2"
2991000052	19	2	NUT - AIR HOLDER, HEX NUT 1/4-20 SS
2991400024	20	2	WASHER - AIR HOLDER 1/4" SS
2301001013	21	1	GASKET - AIR HOLDER 60 x 11 x 2mm
2301002000	(22-26)	1	AIR REGULATOR (SUB-ASSEMBLY COMPLETE) - WHITE
2301002021	22	1	TOP PART - AIR REGULATOR - WHITE
2301002022	23	1	BOTTOM PART - AIR REGULATOR - WHITE
2301002023	24	1	SCREW W/HOLE - AIR REGULATOR, BRASS M10 x 80
2301002024	25	1	RING - HOSE, AIR REGULATOR 16 x 30 x 18mm
2301002025	26	1	GASKET - AIR REGULATOR 42 x 11 x 2mm
2991000059	27	2	THREAD CUTTING SCREW - JET HOUSING, PHILLIPS/PAN 14 x 1
2304910010	NOT SHOWN	1	RING - EXTENSION, JET HOUSING (FLANGE)
7400000026	29	1	#10 AIR BUTTON
7400000027	NOT SHOWN	50'	AIR TUBE 1/8" x 1' (PRICE PER FOOT)
7400000062	30	1	AIR BUTTON WITH CONCRETE ADAPTOR

### OPTIONAL PARTS FOR THE BADUSTREAM II

2308752006K	NOT SHOWN	1	WINTER COVER KIT - cover, gasket and 4 screws
2308750003B	8.1	1	COVER - SQUARE BLACK
2308760004	NOT SHOWN	1	COVER - ROUND AE
2308760004B	NOT SHOWN	1	COVER - ROUND BLACK
2308760004G	NOT SHOWN	1	COVER - ROUND GRAY
2301002000B	(22.1-26)	1	AIR REGULATOR (SUB-ASSEMBLY COMPLETE) - BLACK
2301002029	22.1	1	TOP PART - AIR REGULATOR - BLACK
2301002028	23.1	1	BOTTOM PART - AIR REGULATOR - BLACK
2308750006	12.1	1	BUTTERFLY GASKET - CLAMPING RING
2300022000	NOT SHOWN	1	CAP - NOZZLE, CLOSE OFF
2300003000	NOT SHOWN	1	MESSAGE HOSE 5 FT. WITH PULSATOR
2300003006	NOT SHOWN	1	MESSAGE HOSE 15 FT. WITH PULSATOR

---

# 7 Limited Warranty

---

Speck Pumps-Pool Products, Inc. grants solely to the original consumer purchaser ("Buyer") of the Badu® SwimJet System(s) the following personal, non-transferable and limited warranty on the following terms and conditions (the "Limited Warranty"): the Badu SwimJet System(s) is warranted to be free of material defects in materials or workmanship under normal use for a period of one (1) year beginning on the date of the Buyer's purchase of the Badu SwimJet System(s) (the "Limited Warranty Period"). Notwithstanding any provisions herein to the contrary, the warranties and obligations hereunder shall not in any event extend for more than two (2) years beyond the date of shipment of the Badu SwimJet System(s) from the factory (the "Limited Warranty Period"). The Limited Warranty is subject to each of the following additional terms and conditions:

**1. IN THE EVENT OF ANY BREACH OF THE LIMITED WARRANTY, SPECK PUMPS-POOL PRODUCTS, INC.'S ENTIRE OBLIGATION AND LIABILITY TO BUYER, AND BUYER'S SOLE AND EXCLUSIVE REMEDY SHALL BE AS FOLLOWS:**

Speck Pumps-Pool Products, Inc. will, at its option, either repair or replace the Badu SwimJet System(s) or refund to Buyer the purchase price actually paid by Buyer for the Badu SwimJet System(s) subject to the Limited Warranty. Speck Pumps-Pool Products, Inc. shall have no obligations under the Limited Warranty unless Buyer delivers timely written notice to Speck Pumps-Pool Products, Inc. of the Limited Warranty claim within the Limited Warranty Period and returns the Badu SwimJet System(s) to Speck Pumps-Pool Products, Inc. if requested. To the fullest extent permitted by law, Speck Pumps-Pool Products, Inc. expressly disclaims any liability for, and the Limited Warranty does not include or cover, any labor, costs or other expenses in connection with the removal, transportation, shipment, insurance, replacement, repair, or installation of repaired or replaced parts or for any other costs or expenses or damages to property or things including, but not limited to, those arising in connection with the use of, or inability to use, the Badu SwimJet System(s).

2. To the fullest extent permitted by law, the Limited Warranty will be void and of no force or effect and Speck Pumps-Pool Products, Inc. will have no liability, responsibilities or obligations to Buyer or with respect to the Badu SwimJet System(s) in the event of the occurrence of any one or more of the following:

- (a) Any damage to the Badu SwimJet System(s) caused by Buyer, any third party, ground movement, other natural forces, acts of God or any other sources or causes not arising from a breach of the Limited Warranty, excluding ordinary wear and tear;
- (b) Any replacement, modification, alteration or repair of any parts or components of the Badu SwimJet System(s) by anyone other than Speck Pumps-Pool Products, Inc.;
- (c) Any abuse, misuse, accident, tampering with, improper installation or modification of the Badu SwimJet System(s) or any other actions, inactions or failures to act that violate the terms and conditions of this Limited Warranty;
- (d) Buyer's failure or inability to present an invoice, bill, receipt or other documentation clearly evidencing that the Badu SwimJet System(s) was installed and maintained in strict compliance with this Limited Warranty and that the claim was timely submitted within the Limited Warranty Period; and/or
- (e) Buyer's failure to comply with the conditions and contingencies set forth in paragraph 3 below.

3. The Limited Warranty is expressly conditioned and contingent upon Buyer's strict compliance with each of the following:

- (a) Installation of the Badu SwimJet System(s) by an experienced and qualified pool industry professional and a licensed electrician who is licensed within the jurisdiction in which the Badu SwimJet System(s) is installed and will be used; and
- (b) Buyer's operation and maintenance of the Badu SwimJet System(s) in strict accordance with Speck Pumps-Pool Products, Inc.'s printed operator/maintenance manuals delivered with the Badu SwimJet System(s).

**4. DISCLAIMER: THE LIMITED WARRANTY IS THE ONLY WARRANTY MADE AND IS IN LIEU OF ALL OTHER WARRANTIES, AND ANY AND ALL IMPLIED WARRANTY OR CONDITION OF MERCHANTABILITY, THE IMPLIED WARRANTY AGAINST INFRINGEMENT, AND THE IMPLIED WARRANTY OR CONDITION OF FITNESS FOR A PARTICULAR PURPOSE ARE EXPRESSLY LIMITED IN THEIR SCOPE AND DURATION TO THE ONE YEAR TERM OF THE LIMITED WARRANTY SET FORTH HEREIN. SOME STATES DO NOT ALLOW LIMITATIONS ON HOW LONG AN IMPLIED WARRANTY LASTS, SO THE ABOVE LIMITATION MAY NOT APPLY TO THE BUYER.**



---

## Limited Warranty - continued

---

**5. TO THE FULLEST EXTENT PERMITTED BY LAW, IN NO EVENT SHALL SPECK PUMPS-POOL PRODUCTS, INC. OR ITS OFFICERS, DIRECTORS, EMPLOYEES, SHAREHOLDERS, AGENTS, OR REPRESENTATIVES BE LIABLE FOR ANY SPECIAL, INDIRECT, INCIDENTAL, EXEMPLARY OR CONSEQUENTIAL DAMAGES OR LOSS, INCLUDING TIME, MONEY, GOODWILL, AND LOST PROFITS IN ANY WAY WHICH MAY ARISE HEREUNDER OR FROM THE USE OF OR INABILITY TO USE THE BADU SWIMJET SYSTEM(S) OR THE PERFORMANCE OR NONPERFORMANCE OF ANY OBLIGATION UNDER THIS LIMITED WARRANTY. THIS PARAGRAPH, THE WARRANTY DISCLAIMERS IN PARAGRAPH 4 ABOVE, AND THE SOLE AND EXCLUSIVE REMEDY SET FORTH IN PARAGRAPH 1 ABOVE SHALL APPLY EVEN IF SPECK PUMPS-POOL PRODUCTS, INC. HAS BEEN NOTIFIED OF THE POSSIBILITY OR LIKELIHOOD OF SUCH DAMAGES OCCURRING, WHETHER SUCH LIABILITY IS BASED ON CONTRACT, TORT, NEGLIGENCE, STRICT LIABILITY, PRODUCTS LIABILITY OR OTHERWISE, AND EVEN IF ANY REMEDY STATED HEREIN FAILS OF ITS ESSENTIAL PURPOSE. SOME STATES DO NOT ALLOW THE EXCLUSION OR LIMITATION OF SPECIAL, INDIRECT, INCIDENTAL, EXEMPLARY OR CONSEQUENTIAL DAMAGES OR LOSS, SO THE ABOVE EXCLUSIONS AND LIMITATIONS MAY NOT APPLY.**

6. This Limited Warranty gives the Buyer specific legal rights, and the Buyer may also have other rights, which vary from state to state.

7. A return merchandise authorization ("RMA") must be obtained from Speck Pumps-Pool Products, Inc. before returning any product. Products returned without an RMA will be refused and returned, unopened, to the Buyer. All returned products are to be sent freight prepaid and insured for Buyer's protection to the manufacturer at 8125 Bayberry Road, Jacksonville, Florida 32256 USA. Under no condition will products be accepted after the expiration of the Limited Warranty Period. Speck Pumps-Pool Products, Inc. shall not bear any costs or risks incurred by Buyer in shipping a defective Badu SwimJet System(s) to Speck Pumps-Pool Products, Inc. or in shipping a repaired or replaced Badu SwimJet System(s) to Buyer.

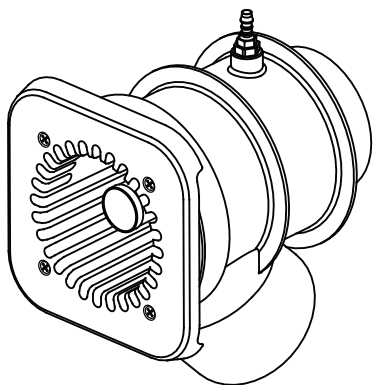


# Manual de Instalación

## Badu<sup>®</sup> Stream II

---

Sistema de Nado Contra Corriente



**SPECK X**  
pumps

**Soporte Técnico:**

**Dirección:** Speck Pumps  
8125 Bayberry Road  
Jacksonville, FL. 32256  
USA

**Horario:** (Lunes - Viernes) 8:00 am a 5:00 pm EST

**Teléfono Gratuito:** 800-223-8538  
*(en los Estados Unidos)*

**Teléfono:** 904-739-2626

**Fax:** 904-737-5261

**Sitio Web:** [www.usa.speck-pumps.com](http://www.usa.speck-pumps.com)

**Email:** [technical.usa@speck-pumps.com](mailto:technical.usa@speck-pumps.com)

<b>Fecha de Instalación:</b>	
<b>Instalado por:</b>	
<b>Número de Serie:</b>	
<b>Para Llamada de Servicio:</b>	

*Fabricado por Speck Pumps, Jacksonville Florida USA, ©2017 Todos los derechos reservados.*

Este documento está sujeto a cambios sin aviso.

# ÍNDICE

<b>1</b>	<i>Instrucciones Importantes de Seguridad</i>	<b>30</b>
	Accesorio de combinación SwimJet - Advertencias de los fabricantes . . . . .	30
	Instrucciones Generales de Seguridad . . . . .	31
<b>2</b>	<i>Descripción General</i>	<b>33</b>
<b>3</b>	<i>Información de la Instalación</i>	<b>33</b>
	Información de Recepción . . . . .	33
	Instalación de Fontanería . . . . .	34
	Instalación para piscinas de hormigón y gunite . . . . .	39
	Instalación de Piscina de fibra de vidrio y/o revestimiento . . . . .	41
	Extracción del Revestimiento. . . . .	42
	Instalación de la bomba y la caja de control . . . . .	42
<b>4</b>	<i>Servicio y Mantenimiento</i>	<b>45</b>
	Ajustes de boquilla . . . . .	45
	Adaptación al invierno . . . . .	45
<b>5</b>	<i>Preguntas frecuentes</i>	<b>46</b>
	Preguntas Más Comunes . . . . .	46
	Resolución de Problemas . . . . .	47
<b>6</b>	<i>Especificación del Producto</i>	<b>49</b>
	Piezas de repuesto y Vista Despiezada . . . . .	50
<b>7</b>	<i>Garantía Limitada</i>	<b>51</b>

## Certificaciones del Badu® Stream //



Cumple con UL 1563  
CSA C22.2 No. 218.1-M89  
Equipos para piscinas  
Enumerado #E212148



VGB 2008

---

# 1 Instrucciones Importantes de Seguridad

---

**ADVERTENCIA:** Antes de instalar este producto, lea y siga todas las notas de advertencia e instrucciones que están incluidas. La falla en seguir las advertencias de seguridad e instrucciones pueden derivar en lesiones graves, la muerte o daños materiales. Llame al (800) 223-8538 o visite [www.usa.speck-pumps.com](http://www.usa.speck-pumps.com) para copias adicionales de estas instrucciones.

---

## Accesorio de combinación Swim Jet - Advertencias de los fabricantes

---

**DEBE SER INSTALADO SOLAMENTE** por un profesional de la industria de piscinas experimentado y calificado.

**Atención Instalador:** Este manual contiene información importante de la instalación, operación y uso seguro del producto. Esta información debe ser entregada al propietario y/u operador de este equipo. La mayoría de los códigos estatales y locales regulan la construcción, instalación y funcionamiento de piscinas y spas. Es importante cumplir con estos códigos, muchos de los cuales regulan la instalación y uso de este producto.

1. **NO** coloque este accesorio en zonas de descanso o en la parte trasera de dichas zonas.
2. Este accesorio debe ser montado en la pared vertical de la piscina solamente pro las instrucciones del fabricante.
3. Todos los accesorios y sujetadores deben ser examinados por daños y alteración antes de cada uso.
4. Cualquier accesorio perdido, roto o rajado debe ser reemplazado antes de usar este producto. Solamente piezas de reemplazo Speck genuinas pueden ser utilizadas.
5. Los tamaños aceptables de accesorios/tuberías están listados en la página 34 de este manual. **NO** se permiten otros tamaños.
6. Nunca exceder el caudal máximo establecido en este producto.
7. La cubierta anti-atrapamiento debe estar colocada cuando se use este producto. **NO** usar este producto si la cubierta está perdida, rota o floja.
8. La cubierta anti-atrapamiento (parte #8) debe ser sustituida dentro de 10 años desde la fecha de instalación.
9. La instalación requiere un destornillador Philips. Ajustar únicamente a mano. **NO** usar taladros eléctricos o de aire.
10. Consultar a su médico antes de ejercitar con el Badu®Stream II o usar la manguera de masaje.
11. **NO** permitir que chicos usen este producto a menos que estén estrechamente supervisados en todo momento.
12. **NO** retirar ninguna etiqueta de alerta de seguridad como **PELIGRO, ADVERTENCIA** o **PRECAUCIÓN**. Mantener las etiquetas de alerta de seguridad en buenas condiciones y reemplazar etiquetas perdidas o dañadas.
13. Mantenerse alerta, mirar lo que está haciendo y usar el sentido común. **NO** usar la unidad si está cansado y/o exhausto. **NO** usar la unidad bajo la influencia de drogas, alcohol o cualquier medicamento.
14. **PRECAUCIÓN: NO** aumentar el tamaño de la bomba; esto incrementará el caudal a través del sistema y excederá el caudal máximo establecido en este producto.

---

## Swim Jet Combination Fitting - Manufacturers Warnings - continued

---

As the manufacturer, Speck Pumps - Pool Products, Inc., hereby certifies that their Swim Jet Combination Fitting meets or exceeds the requirements of the Virginia Graeme Baker Pool & Spa Safety Act, VGB 2008 and ANSI/APSP 16 standards and safety regulations as set forth by the Consumer Products Safety Commission.

**“Read, and then keep these instructions for future reference”**

---

### General Safety Instructions

---

The following guidelines provide information to minimize the risk of injury to users of pools, spas, and hot tubs.

**WARNING: TO REDUCE THE RISK OF ENTRAPMENT HAZARD**



Pool and spa pumps produce high levels of suction, which can pose extreme danger if a person comes in close proximity to an open pool or spa drain or if a drain cover is loose, cracked, broken or missing. Pool and spa pumps move large volumes of water, which can pose extreme danger if a person's hair comes in close proximity to a drain that is not the proper size for the pump or pumps.

If not an approved single, unblockable outlet, a minimum of two functioning suction outlets per pump must be installed. Suction outlets in the same plane (i.e. floor or wall) must be installed a minimum of three (3) feet (1 meter) apart, as measured from center point to center point. Dual suction fittings shall not be located on seating areas or on the backrest for such seating areas. If any suction outlets are located closer they shall be located on two different planes (i.e. one on the bottom and one on the vertical wall, or one each on two separate vertical walls).

**WARNING:** Failure to keep suction outlet components clear of debris, such as leaves, dirt, hair, paper and other material can result in an increased potential for suction entrapment.

If not a single, unblockable outlet, in the event of one suction outlet being completely blocked, the remaining suction outlets serving the system shall have a flow rating capable of the full flow of the pump(s) or the specific suction system. If in doubt about the rating and/or head loss curve of your system, consult a qualified pool or spa professional and/or your respective equipment manufacturer(s). Also, double check with your local building/health authorities regarding single vs. multiple drain installations, etc.

Regularly inspect all drain covers for cracks, damage and advanced weathering. If a drain cover becomes loose, cracked, damaged, broken or is missing, close the pool or spa immediately, post a notice and keep the pool or spa closed until an appropriate VGB 2008 certified drain cover is properly installed.

### WATER VELOCITY AND FLOW RATES

The maximum water velocity through drain covers is limited by some local regulations, for example some state health departments limit the velocity through public pool drain covers to 1.5 feet per second. This velocity limit is lower than the flow rating provided by the ANSI/APSP 16 certification; therefore local limit applies and must be followed. Never exceed the flow rating listed on the cover even if local code does not provide a velocity limit.

For additional information on proper installation refer to The Association of Pool & Spa Professionals ANSI/APSP-7 Standard and the US Consumer Product Safety Commission Guidelines for Entrapment Hazard.

---

## Instrucciones Generales de Seguridad - Continuación

---

### VELOCIDAD DEL AGUA Y CAPACIDADES DE FLUJO

*La velocidad máxima del agua a través de las tapas de desagüe está limitada por algunas regulaciones locales, por ejemplo, algunos departamentos de salud estatales limitan la velocidad a través de las tapas de desagüe de piscinas públicas a 1.5 pies por segundo. Este límite de velocidad es inferior a la capacidad de flujo proporcionada por la certificación 16 ANSI/APSP; por lo tanto, se aplica el límite local y debe ser respetado. Nunca exceder la capacidad de flujo que aparece en la tapa incluso si el código local no provee un límite de velocidad.*

*Para más información sobre la correcta instalación consulte a la Asociación de Profesionales de Piscina y Spa ANSI/APSP- Estándar 7 y a las Pautas de la Comisión de Seguridad de Consumo de Producto US por riesgo de atrapamiento.*

### Cumplimiento de la VGB - LA LEY DE SEGURIDAD EN PISCINAS Y SPAS VIRGINIA GRAEME BAKER

La Ley de Seguridad en Piscinas y Spas Virginia Graeme Baker plantea ciertos nuevos requisitos a los propietarios y operadores de piscinas y spas.

Piscinas o spas construidas a partir del 19 de diciembre del 2008, deberán utilizar:

- (A) Ningún desagüe de succión sumergido, un sistema de desagüe por gravedad con tapa/s ASME/ANSI, de uno o más desagües no bloqueables; o
- (B) Un sistema de desagüe principal múltiple sin poder de aislamiento con tapas de desagüe de succión que cumplan con ASME/ ANSI A112.19.8 Accesorios de Succión para usar en Piscinas de Natación, Piscinas para Niños, Spas e Hidromasajes y:
  - (i) Un sistema de seguridad de liberación del vacío (SVRS) que cumpla la norma ASME/ANSI A112.19.17, sistemas de seguridad de liberación del vacío (SVRS) para piscinas residenciales y comerciales, spas, bañeras de hidromasaje, sistemas de succión de piscinas infantiles y especificación de la norma ASTM F2387 para sistemas de seguridad de liberación del vacío (SVRS) para piscinas, spas y bañeras de hidromasaje, o
  - (ii) Un sistema de ventilación que limite la succión adecuadamente diseñado y probado o
  - (iii) Una bomba automática con sistema de apagado.

Las piscinas y spas construidas antes del 19 de diciembre del 2008, con un solo desagüe de succión sumergido deberá usar una tapa de desagüe de succión que cumpla con ASME/ANSI A112.19.8 y:

- (A) Un sistema principal de desagüe múltiple sin poder aislamiento, o un desagüe de succión simple no bloqueable (conforme con VGB 2008), o
- (B) Un sistema de seguridad de liberación de vacío (SVRS) cumpliendo con ASME/ANSI A112.19.17 y/o ASTM F2387, o
- (C) Un sistema de ventilación que limite la succión adecuadamente diseñado y probado, o
- (D) Una bomba automática con sistema de apagado, o
- (E) Desagües sumergidos deshabilitados, o
- (F) Desagües de succión deberán ser reconfigurados en boquillas de impulsión.

Para más información sobre la Ley Virginia Graeme Baker de Seguridad en Piscinas y Spas, contactarse con la Comisión de Seguridad de Consumo de Producto al (301) 504-7908 o visite el sitio web [www.cpsc.gov](http://www.cpsc.gov).



## Instrucciones Generales de Seguridad - Continuación

### ADVERTENCIA - Riesgo de descarga eléctrica o electrocución



La bomba de piscina debe ser instalada por electricista con licencia o certificado o un técnico en piscinas calificado de acuerdo con el Código Eléctrico Nacional y todos códigos y ordenanzas locales aplicables. La instalación inadecuada creará un peligro eléctrico que puede ocasionar la muerte o lesiones graves a los usuarios de piscinas, instaladores, u otros debido a una descarga eléctrica, y también podría causar daños materiales.

**Desconecte siempre la energía a la bomba de piscina en el disyuntor antes de reparar la bomba.** De no hacerlo, podría provocar la muerte o lesión grave al técnico, usuarios de la piscina, u otros debido a una descarga eléctrica.

## 2 Descripción General

Los sistemas Badu SwimJet de Speck Pumps están diseñados para ser instalados durante la construcción de su piscina para crear una corriente acuática para nado vigoroso o un ejercicio terapéutico y efectivo.

Los sistemas Badu SwimJet pueden ser instalados en cualquier tipo de piscina, grande o chica, desde gunita a revestimiento de vinilo. No tiene partes sobresalientes garantizando la seguridad del usuario de la piscina, es muy compacto y se instala a un costo mínimo. La unidad autónoma y empotrada es un sistema de propulsión a chorro que bombea agua en la piscina creando una corriente de más de 5.700 galones por minuto desde una única carcasa de chorro empotrada.

La manguera de masaje pulsante puede estar conectada a una de las boquillas de propulsión para tratar músculos y articulaciones. (NOTA: La manguera de masaje se vende por separado.)

## 3 Información de la Instalación

### Información de Recepción

1. Tras recibir el sistema swimjet, verificar las cajas en busca de daños. Abrir cada caja y controlar la bomba(s), la carcasa(s) de chorro, y la caja de control en busca de daños ocultos, tales como grietas, abolladuras, o una base curvada. Si se encuentra algún daño, contactarse con el expedidor o distribuidor donde se adquirió el swimjet.

2. Inspeccionar los contenidos de cada caja y verificar que todas las piezas estén incluidas. (Ver Imagen 1)

- A. Carcasa de chorro empotrada
- B. *Cubierta anti atrapamiento de una plaza (81/4" x 81/4")  
Bomba de succión indetectable. (Disponibile cubierta redonda opcional)*
- C. Boquilla de chorro de agua ajustable
- D. Regulador de aire que ajusta la cantidad de burbujas de aire en el flujo de agua.
- E. Caja de control con GFCI, botón de aire, y tubo de aire.

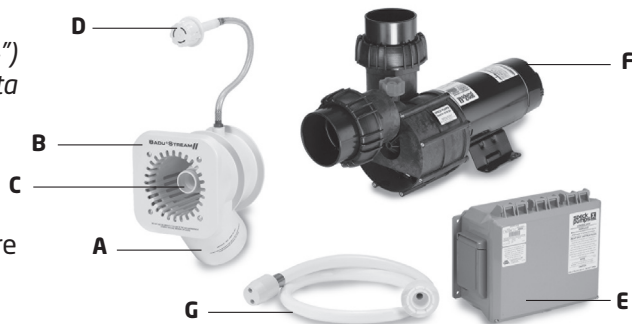


Imagen 1  
Sistema BaduStream II (1 chorro & bomba 4 HP)

---

## Información de Recepción - Continuación

---

- F. Bomba de plástico autocebante de una sola fase Speck 4 HP Modelo 21-80/33GS o 3.5 HP Modelo 72-VI con sobrecarga térmica incorporada (no requiere arrancador de motor). Bomba de tres fases opcional y caja de control disponibles. (NOTA: Bomba de succión inundada disponible para instalación por debajo del nivel del agua.)
- G. Manguera de masaje pulsante. (NOTA: La manguera de masaje se vende por separado.)

---

## Instalación de Tubería

---

**PRECAUCIÓN:** La conexión de descarga está en el centro de la parte posterior de la carcasa de chorro. La conexión de succión está en la parte inferior de la carcasa de chorro.

**PRECAUCIÓN:** La línea de succión debe mantenerse por debajo del nivel de agua desde la conexión de succión en la carcasa de chorro a un punto directamente debajo de la bomba.

**PRECAUCIÓN:** El centro de la boquilla(s) de chorro BaduStream debería estar ubicado 12" **DEBAJO** de la línea de agua para un rendimiento y eficiencia máxima. El regulador(es) de aire debería estar ubicado 3-4" **SOBRE** la línea de agua.

**PRECAUCIÓN:** En áreas donde el suelo sea blando o con frecuentes movimientos de tierra, una sección flexible de la manguera de 4" debería estar instalada en la parte trasera de la carcasa de chorro para prevenir daños en la plomería o carcasa de chorro.

**PRECAUCIÓN:** Para cebar la bomba sin problemas (hasta 4 pies por encima de la línea de agua), instalar primero un elevador de 6" de largo en la conexión de descarga arriba de la bomba(s). A continuación, instalar un codo y llevar la línea(s) de descarga hacia abajo a la conexión(es) de descarga en la carcasa(s) de chorro BaduStream. (No se requiere con el modelo 72 de la bomba 3.5 HP). En sistemas con 3 carcasas de chorros y 2 bombas, las válvulas de retención deben estar instaladas en las conexiones de descarga de descarga en cada bomba.

**PRECAUCIÓN:** Dejar al menos 12 horas como tiempo de curado y adherencia. Un tiempo de curado y adherencia insuficiente puede provocar fugas e inundaciones.

**PRECAUCIÓN:** A lo largo de toda la instalación, asegúrese de que la tubería conectada a la carcasa de chorro del BaduStream esté bien apoyada. La tubería sin apoyo **QUEBRARÁ** la carcasa de chorro.

**PRECAUCIÓN: NO** use la bomba como punto fijo (apoyo) para la plomería.

**PRECAUCIÓN:** Cuando se utiliza tubería de 6", instalar bujes reductores de 6" x 4" lo más cerca posible a la carcasa(s) de chorro. Para sistemas con 2 o 3 carcasas de chorro, instalar los bujes reductores de 6" x 4" lo más cerca posible a la "T" distribuidora. La línea de succión de 6" se debería ejecutar desde la carcasa(s) de chorro y mantener bajo la línea de agua a un punto directamente debajo de la bomba. Instalar un codo de 6" en ese punto. A continuación, ejecutar la tubería de 4" verticalmente hasta la conexión de succión de la bomba y terminar con un codo de 4".

- Para un rendimiento óptimo, usar cañerías de 4" cuando la distancia total entre la bomba y la carcasa de chorro es de 30 pies o menos. La cañería debe ser lo más directa y libre de vueltas y curvas posible porque **los codos y otros accesorios pueden crear grandes pérdidas de fricción y reducir el rendimiento del sistema. Se debe usar la longitud más corta de tubería con el número mínimo de conexiones posibles para evitar cualquier pérdida significativa de fricción debido a la tubería y accesorios.** NOTA: Consulte la Figura 2 para la curva de pérdida de carga BaduStream.
- Se puede usar un máximo de siete (7) codos de 90° con 30 pies de tubería horizontal de 4" para la línea de succión y 30 pies de tubería horizontal para la línea de descarga sin afectar negativamente el rendimiento del sistema. NOTA: Esto se aplica a cada bomba utilizada en el sistema. Consulte la Figura 4 para la Carga Dinámica Total (TDH) máxima permitida para lograr tasas de flujo recomendadas.
- Si para la instalación se requieren más "codos", se deben usar curvas de 4" en lugar de los codos. Cuando se utiliza curvas en lugar de los codos, se puede usar un máximo de nueve (9) curvas de 4" con 30 pies de tubería horizontal de 4" para la línea de succión y 30 pies de tubería horizontal de 4" para la línea de descarga sin afectar negativamente el rendimiento del sistema. NOTA: Esto se aplica a cada bomba utilizada en el sistema. Consulte la Figura 4 para la Carga Dinámica Total (TDH) máxima permitida para lograr tasas de flujo recomendadas.

## Instalación de Tubería - Continuación

- Si no se puede ubicar la bomba(s) dentro de los 30 pies de la carcasa(s) de chorro utilizando la cantidad máxima de codos o curvas 4" indicadas anteriormente, entonces se debe utilizar tuberías de 6". Para la línea de succión, utilice tuberías y accesorios de 6" desde la conexión en la carcasa de chorro (o en los distribuidores para dos y tres sistemas de chorro) hasta un punto directamente debajo de la bomba. A partir de ese punto, instalar un codo de 6". A continuación, colocar tubería de 4" vertical hasta la conexión de succión de la bomba y terminar con un codo de 4". Para la línea de descarga, se debe instalar tubería de 6" desde la conexión de descarga de la bomba hasta el final de la conexión de presión de la carcasa de chorro (o distribuidores para dos y tres sistemas de chorro).
- Para dos y tres sistemas de chorro, las carcacas de chorro **deben instalarse lo más cerca posible de centro a centro hasta 10" para obtener el máximo rendimiento. NO instalar la carcaca de chorro a más de 12" de distancia del centro.** (Ver la Figura 1 y 1A)

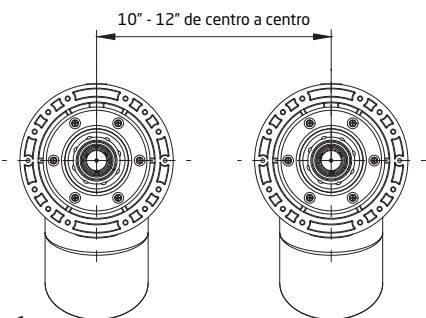


Figura 1  
Chorro doble (10" - 12" de centro a centro)

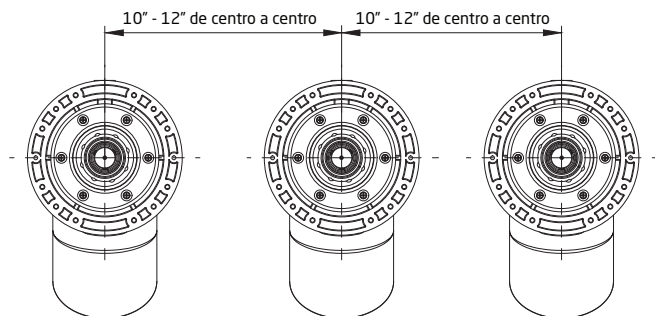


Figura 1A  
Chorro triple (10" - 12" de centro a centro)

*NOTA: Las líneas de succión que son muy largas tienen desventajas significativas:*

- Mayor resistencia que resulta en cebado menos eficiente y un mayor riesgo de cavitación.
- Tiempo de cebado más largo (hasta 12 minutos).
- Mantener las líneas de succión y presión lo más corto y recto posible.
- Si la bomba se coloca más lejos, entonces el dimensionamiento de la tubería tiene que ser adaptado de manera que casi se garantice flujo sin pérdida.

## Instalación de Tubería - Continuación

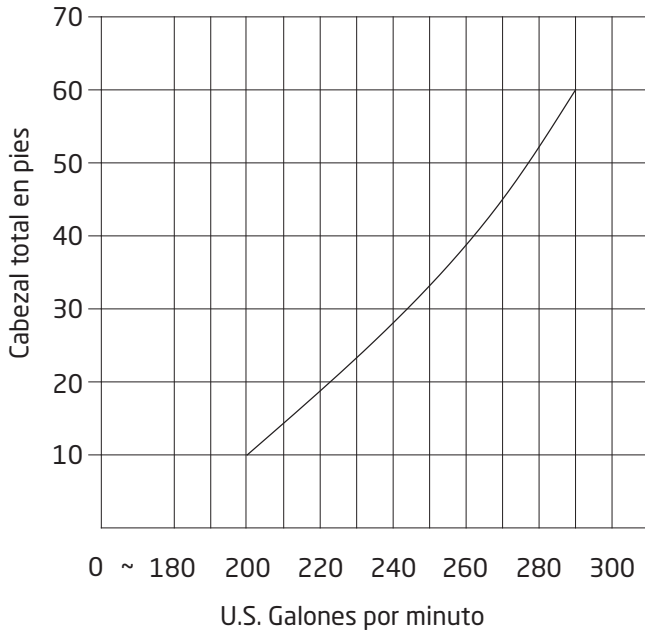


Figura 2  
Curva de Pérdida de Carga del BaduStream II (*Carcasa de Chorro Individual*)

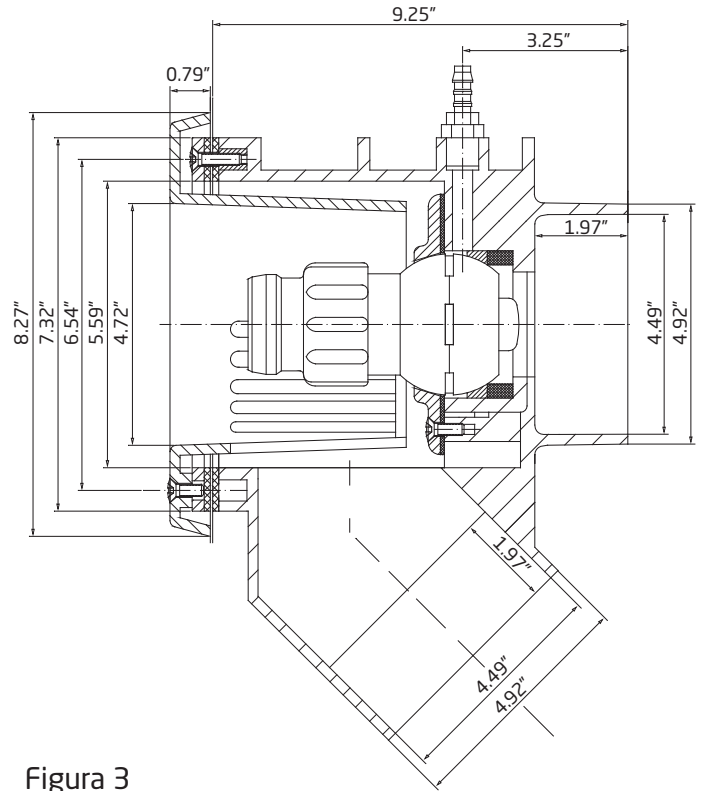


Figura 3  
Plano de dimensiones del BaduStream

**NOTA:** El paquete de ensamble BaduStream contiene todas las piezas necesarias para la instalación de la unidad en piscinas de concreto, gunita, revestimiento o fibra de vidrio.

**PRECAUCIÓN:** Todos los tornillos y pernos necesarios incluidos con el BaduStream son de acero inoxidable. ¡Todas las roscas de tornillos e insertos de rosca son **MÉTRICAS!** ¡SOLAMENTE pueden utilizarse tornillos y tuercas MÉTRICAS! Las dos excepciones son las conexiones de succión y descarga en la BaduStream y la carcasa de la bomba (conexiones de deslizamiento de 4") y las herramientas de montaje para el ensamble del regulador de aire (1/4 -20 roscas). Todos los tornillos deben ser **APRETADOS A MANO**. **NO** usar taladros o herramientas neumáticas. ¡NO apretar en exceso!

Requisitos de Fontanería					
BaduStream //	Bomba	Distancia	Tamaño del tubo	Flujo Aprox.	TDH
Chorro Triple	(2) 4 HP	De 10 a 30 pies hasta 50 pies*	4" 6"	651 GPM 651 GPM	42 pies 42 pies
Chorro Doble	4 HP	De 10 a 30 pies hasta 50 pies*	4" 6"	380 GPM 400 GPM	34 pies 32 pies
Chorro Simple	4 HP	De 10 a 30 pies hasta 50 pies*	4" 6"	217 GPM 217 GPM	53 pies 53 pies
Chorro Simple	3 HP	De 10 a 30 pies hasta 50 pies*	4" 6"	200 GPM 200 GPM	12 pies 12 pies

## Instalación de Tubería - Continuación

\* Una tubería de 6" permitirá distancias de más de 50 pies. Sin embargo, la ubicación de la caja de control tiene que estar dentro de los 50 pies del botón de aire ON/OFF con el fin de funcionar correctamente.

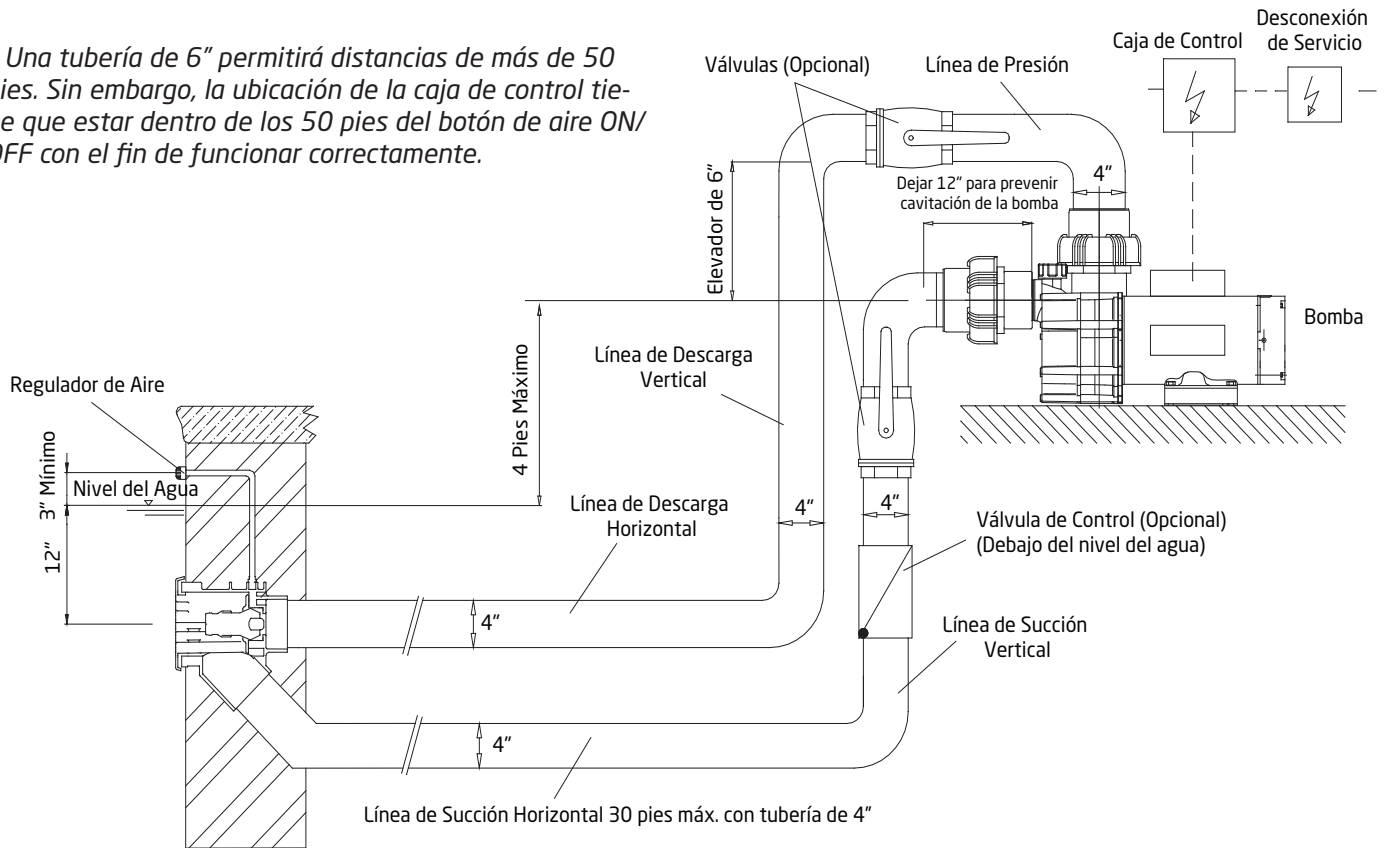


Figura 4

**NOTA:** Se recomiendan válvulas cuando se instala la bomba bajo el nivel del agua (aplicaciones de succión inundada).

**NOTA:** Para evitar tensión en la carcasa de chorro, la carcasa de chorro y de 2 a 3 pulgadas de tubería puede ser recubierto en gunita o concreto.



## Instalación para piscinas de hormigón y gunita

NOTA: Las siguientes piezas **NO SE USAN EN LA INSTALACIÓN EN HORMIGÓN Y GUNITA:**

- Anillo de fijación de junta (Parte #12)
- Tornillo de 1/4-20 x 1-1/2" (Parte #18)
- Tuerca de 1/4-20 (Parte # 19)
- Arandela de 1/4" (Parte #20)
- Junta del Regulador de aire de 60 x 11 x 2 mm (Parte #21)
- Tornillo #14 x 1" (Parte #27)

### 1. Pre-ajustar la Carcasa(s) de chorro del BaduStream:

- A. Instalar tubería de distribución (para dos o tres sistemas de chorro) de aproximadamente 12" o tubería de 4" SCH 40 (para sistema de chorro simple) a los accesorios de succión y de descarga en la carcasa(s) de chorro. Ver Figura 8.
- B. Pasar una (1) boquilla de manguera del regulador de aire en la parte superior de cada carcasa de chorro. Fijar la manguera del regulador de aire de plástico (parte #15) a la boquilla de manguera del regulador de aire (parte #14) utilizando la abrazadera(s) de manguera (parte #16).

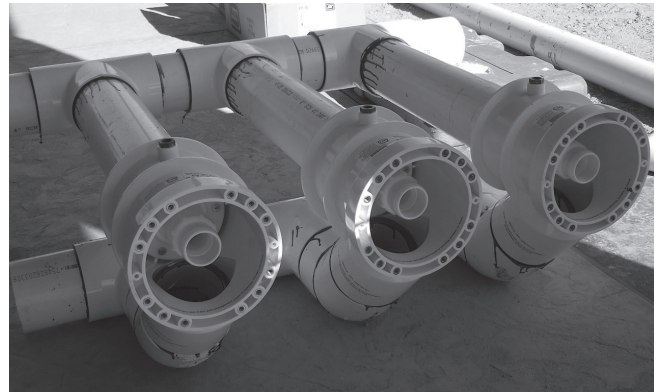


Figura 8  
Carcasas de chorro Preajustadas

### 2. Cubrir la carcasa(s) de chorro para mantener el hormigón fuera de los insertos de rosca y fuera del interior de la carcasa(s). Ver Figura 9.

### 3. Colocar la carcasa(s) de chorro entre las barras de acero. **Nota:** La ubicación de la carcasa de chorro es muy importante.

- A. Asegurarse de que la boquilla de manguera del regulador de aire (parte #14) esté en la parte superior y central de cada carcasa de chorro. **De no hacerlo, causará que la cubierta cuadrada (parte #8) aparezca desigual.**
- B. El centro de cada carcasa de chorro (la boquilla) debe ubicarse 12" **BAJO** la línea de agua para un máximo rendimiento y eficiencia.
- C. Verificar la ubicación de la carcasa de chorro mientras se aplica el gunitado o vierte el hormigón. Asegurarse de que la carcasa de chorro se mantiene correctamente alineada y a nivel.
- D. El borde del frente de cada carcasa de chorro debe terminar incluso con la pared de la piscina interna. Raspar una ranura en forma de V alrededor de la carcasa de chorro de profundidad aproximada 1-1/2" para permitir que el yeso se adhiera contra la carcasa de chorro. Ver Figura 10.

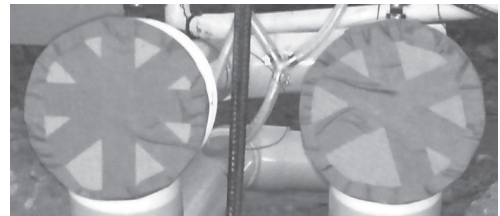


Figura 9  
Carcasas de chorro cubiertas



Figura 10  
Ranura en forma de V en Gunita

- E. **NOTA:** Para evitar tensión en la carcasa de chorro, la carcasa de chorro y de 2 a 3 pulgadas de tubería stub out puede ser recubierto en gunitado u hormigón. **PRECAUCIÓN:** demasiada tensión en la tubería puede romper la carcasa BaduStream II.

### 4. Instalar el regulador de aire. **NOTA:** La ubicación del regulador de aire debe ser 3"-4" **SOBRE** el nivel del agua.

- A. Pasar una (1) boquilla de manguera del regulador de aire (parte #14) en la parte posterior al soporte del regulador de aire (parte #17). Conectar el extremo libre de la manguera del regulador de aire de plástico a la boquilla en la parte posterior del soporte del regulador de aire. Asegurar con una abrazadera de manguera (parte # 16)

## Instalación para piscinas de hormigón y gunite - Continuación

B. El regulador de aire puede ubicarse en la baldosa sobre el nivel del agua o en el piso. Cuando se embaldosa la piscina, ajustar la ubicación del regulador de aire de modo que esté 3"-4" **SOBRE** el nivel del agua. Colocar y fijar con cemento hidráulico. El soporte del regulador del aire (*parte #17*) debe terminar con la pared interna de la piscina. Perforar un agujero de 1/2" en la línea de la baldosa incluso con el orificio central del soporte del regulador de aire. Embaldosar sobre el soporte del regulador de aire. **PRECAUCIÓN: NO** conectar el orificio central del soporte del regulador de aire.

C. Insertar el tornillo de bronce de M10 x 80 mm (*parte #24*) a través del interior del regulador de aire (*parte #23*), tornillo de 42 x 11 x 2 mm y la junta del regulador de aire (*parte #26*). Enroscar el tornillo de bronce de M10 x 80 mm en el centro del soporte del regulador de aire (*parte #17*). Apretar *con un* destornillador de punta plana.

D. Instalar el anillo de la manguera (*parte #25*) y encajar la parte superior del regulador de aire (*parte #22*) en su lugar. Ver *Figura 11* para el ensamble del regulador de aire.

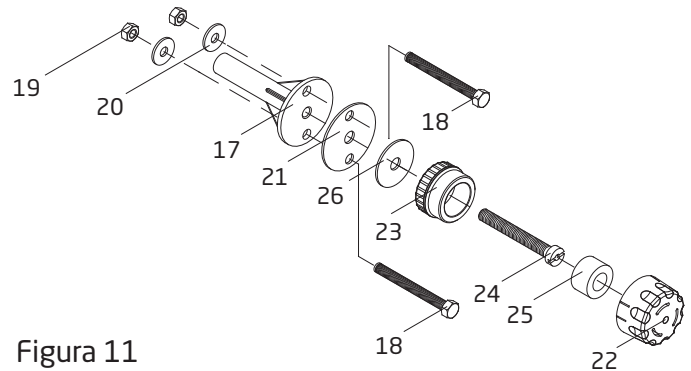


Figura 11  
Ensamble del regulador de aire

5. Mantener todas las piezas sin usar hasta ahora en la caja original. Guardar en un lugar seguro hasta que sea necesario.

*NOTA: Se dispone de un anillo de extensión y de tornillos más largos de la cubierta cuadrada (parte #9/5) (a pedido) para aplicaciones donde la carcasa esté empotrada en la pared de la piscina.*

6. Cuando el concreto o la gunita haya curado y las paredes de la piscina hayan sido terminadas, instale la cubierta cuadrada (*parte #8*) utilizando cuatro tornillos (4) M6 x 25mm para cubierta (*parte #9/1*)

*Nota: para instalaciones con locetas se puede compensar el grosor instalando primero la junta (parte #12) y el aro de sujeción (parte# 3= antes de instalar la cubierta cuadrada. El aro de sujeción y la junta correspondiente se instalan usando ocho (8) tornillos para aro de sujeción (partes# 9/2, 9/3 o 9/4)*

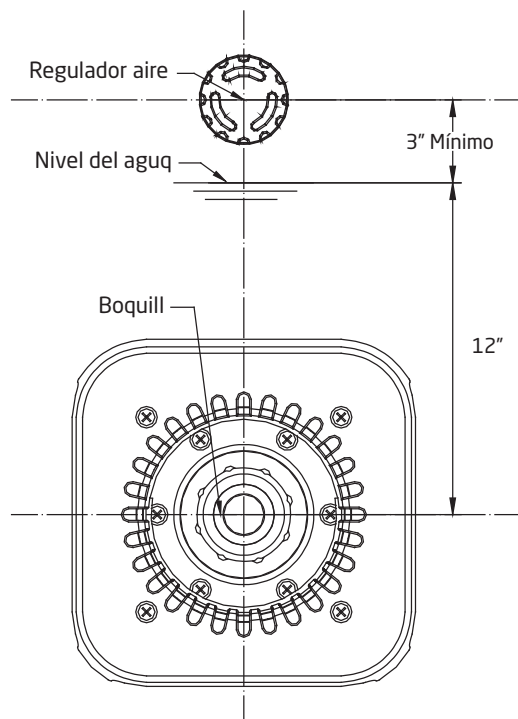


Figura 12  
Instalación de Piscinas en hormigón o gunite

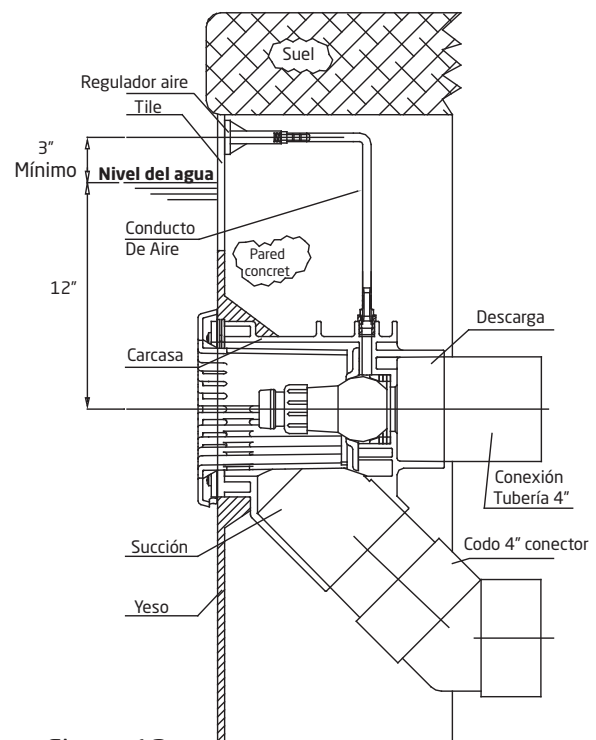


Figura 13  
BaduStream en Piscina de hormigón o gunite



## Instalación de Piscina de fibra de vidrio y/o revestimiento

1. Usando el anillo de fijación (*parte #3*) como molde, perforar agujeros en la pared de la piscina para la instalación. La línea central del anillo de fijación debe estar 12" **BAJO** el nivel del agua (*Ver Figuras 14 y 15*). Dos agujeros adicionales tendrán que ser perforados en las posiciones de las 3 y 9 en punto para la instalación de la carcasa de chorro (*parte #7*). Los cuatro insertos de cobre en el anillo de fijación deben estar en las posiciones 2, 4, 8 y 10 en punto (*Ver Figura 14*).

2. Colocar la carcasa (*parte #7*) y la junta de anillo de fijación (*parte #12*) **DETRÁS** de la pared de la piscina usando dos (2) tornillos de #14 x 1" (*parte #27*). Instalar los tornillos desde el interior de la pared de la piscina a través de los agujeros perforados en las posiciones de las 3 y 9 en punto. (*Ver Figura 14*)

3. Instalar el anillo de fijación (*parte #3*) y una segunda junta del anillo de fijación (*parte #12*) **DELANTE** de la pared de la piscina usando ocho (8) tornillos M6 (*parte #9/2, 9/3, o 9/4*). La longitud de los tornillos depende de la instalación. **NOTA:** Se puede usar una buena silicona RTV con la junta durante el montaje de la carcasa de chorro, pero en la mayoría de los casos no es necesario. El instalador debe decidir si es necesaria o no.

**NOTA:** Cuando se instala correctamente, el centro de la carcasa (*parte #7*) estará 12" **BAJO** la superficie del agua y la boquilla de la manguera del regulador de aire (*parte #14*) estará en el centro superior de la carcasa de chorro.

**PRECAUCIÓN:** Al instalar la cubierta BaduStream (*parte #8*). Usar un tornillo de cabeza Phillips y apretar a 1.5 Nm o manualmente. **NO** usar taladros eléctricos o de aire. (**NOTA:** La cubierta cuadrada, *parte #8*, tendrá una apariencia desigual si no se instala correctamente la carcasa.)

4. Para el ensamble del regulador de aire, perforar un agujero de 1/2", preferiblemente a lo largo del eje vertical, aprox. 3-4" **SOBRE** la línea de agua. (*Ver Figuras 14/15*). Usando la junta del regulador de aire 60 x 11 x 2mm (*parte #21*), marcar y perforar dos agujeros de montaje de 1/4" (*Ver Figura 14*). Usar dos tornillos del soporte de aire 1/4 - 20 (*parte #18*) y dos tuercas del soporte de aire 1/4-20 (*parte #19*) para montar el soporte del regulador de aire.

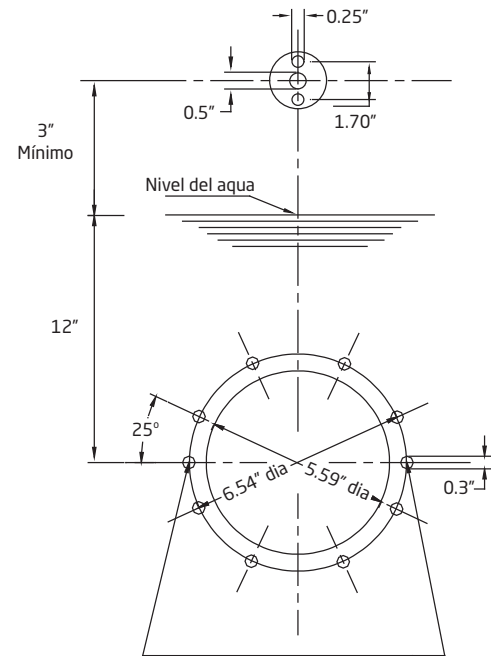
**NOTA:** Las Piezas 18 y 21 van en **FRENTE** de la pared de piscina; las Piezas 19 y 17 van **DETRÁS** de la pared de piscina.

5. Mantener todas las piezas sin usar hasta ahora en la caja original. Guardar en un lugar seguro hasta que sea necesario.

6. Una vez que la piscina esté completa, instalar la cubierta cuadrada (*parte #8*) usando los cuatro (4) tornillos de la cubierta cuadrada (*parte #9/1*).

**Solo para piscinas de revestimiento:** Instalar la carcasa de chorro y el reglador de aire antes de la instalación o sustitución del revestimiento de piscina.

**En Piscina de pared de acero:** Se puede adquirir una junta mariposa opcional (*parte #12.1*) para reemplazar a dos (2) juntas de anillo de fijación (*parte #12*). Agrandar el agujero de la carcasa de chorro en la Figura 14 de 5.59" a 5.75" para la instalación.



Para piscinas de fibra de vidrio / revestimiento  
(Agujeros de montaje de la carcasa de chorro)

Figura 14  
Recorte de la pared de la piscina para la carcasa BaduStream.

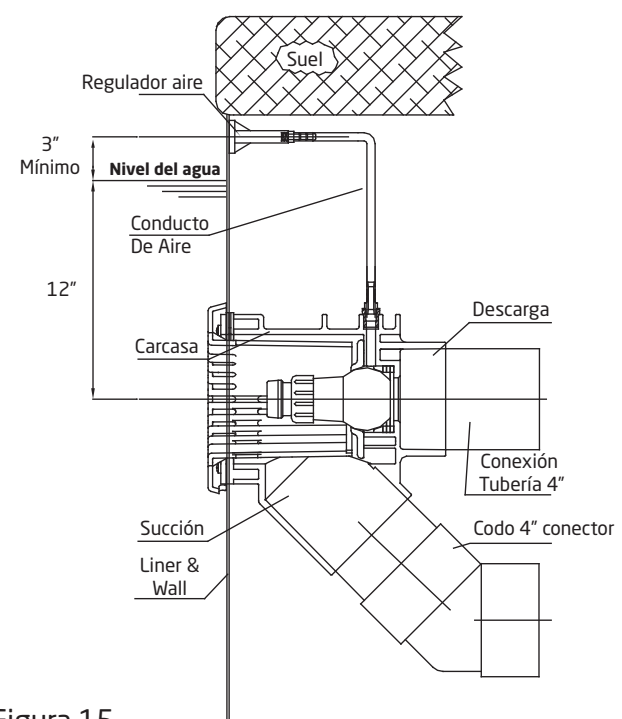


Figura 15  
BaduStream en piscina de revestimiento o fibra de vidrio

---

## Extracción del Revestimiento

---

Al sustituir o extraer el revestimiento para reparaciones; quitar los cuatro (4) tornillos (*parte #9/1*) que sujetan la cubierta cuadrada (*parte #8*) a la carcasa de chorro. Retirar todos los tornillos (*parte #9/2, 9/3 y 9/4*), excepto los dos primeros, que sujetan el anillo de fijación (*parte #3*) y la junta (*parte #12*) a la carcasa de chorro. Colocar los dos tornillos restantes y comprobar si hay cualquier movimiento de la carcasa de chorro de la pared. (*NOTA: Si se instalaron los dos tornillos (parte #27) que sujetan la carcasa de chorro a la pared, la carcasa de chorro no debería moverse, y los dos tornillos restantes pueden ser retirados*). Quitar uno de los dos tornillos restantes y deslizar el anillo de fijación (*parte #3*) a un lado. Vuelva a colocar todos los tornillos antes de quitar el último tornillo. Retirar o sustituir el revestimiento. Rever el proceso para instalar el revestimiento.

*NOTA: Al reemplazar el anillo de fijación y los tornillos: ubicar las cabezas de los tornillos bajo el revestimiento, hacer un pequeño corte en el revestimiento de los tornillos y empujar el revestimiento sobre la cabeza del tornillo.*

---

## Instalación de la bomba y la caja de control

---

**ADVERTENCIA:** El cableado del motor y la caja de control deben ser instalados por un electricista autorizado de acuerdo con las regulaciones locales, estatales y códigos federales. Asegurarse de que el armazón del motor y la caja de control estén adecuadamente conectados en tierra. La placa de identificación del motor enlista sobre el voltaje, fase, amperaje y demás información, así como las instrucciones de conexión del cableado.

Esta sección se refiere al motor eléctrico y a la caja de control para el sistema swimjet BaduStream II.

**PRECAUCIÓN:** Antes de instalar la bomba Speck, leer el manual completo del usuario de la bomba que se encuentra en la caja de la bomba.

Consultar los códigos locales para la distancia mínima entre la bomba y la piscina. Colocar la bomba tan cerca de la piscina como sea práctico.

**PRECAUCIÓN:** Hay 50 pies de tubo de aire que se incluyen con el sistema swimjet BaduStream II. La caja de control debe estar ubicada dentro de esta distancia del botón de aire. Si se requiere una distancia más larga, por favor, contactar a la fábrica respecto del uso del tubo de aire de menor diámetro.

**ADHERENCIA:** Tal como lo requiere el Código Eléctrico Nacional, el motor de la bomba debe estar conectado eléctricamente a la estructura de la piscina (barras reforzadas, etc.) por un conductor de cobre sólido de no menos de No. 8 AWG a través de la lengüeta de conexión externa de cobre en el motor de la bomba.

**CONEXIÓN A TIERRA:** permanentemente conectar a tierra el motor de la piscina y la caja de control de la bomba con un conductor de tamaño apropiado.

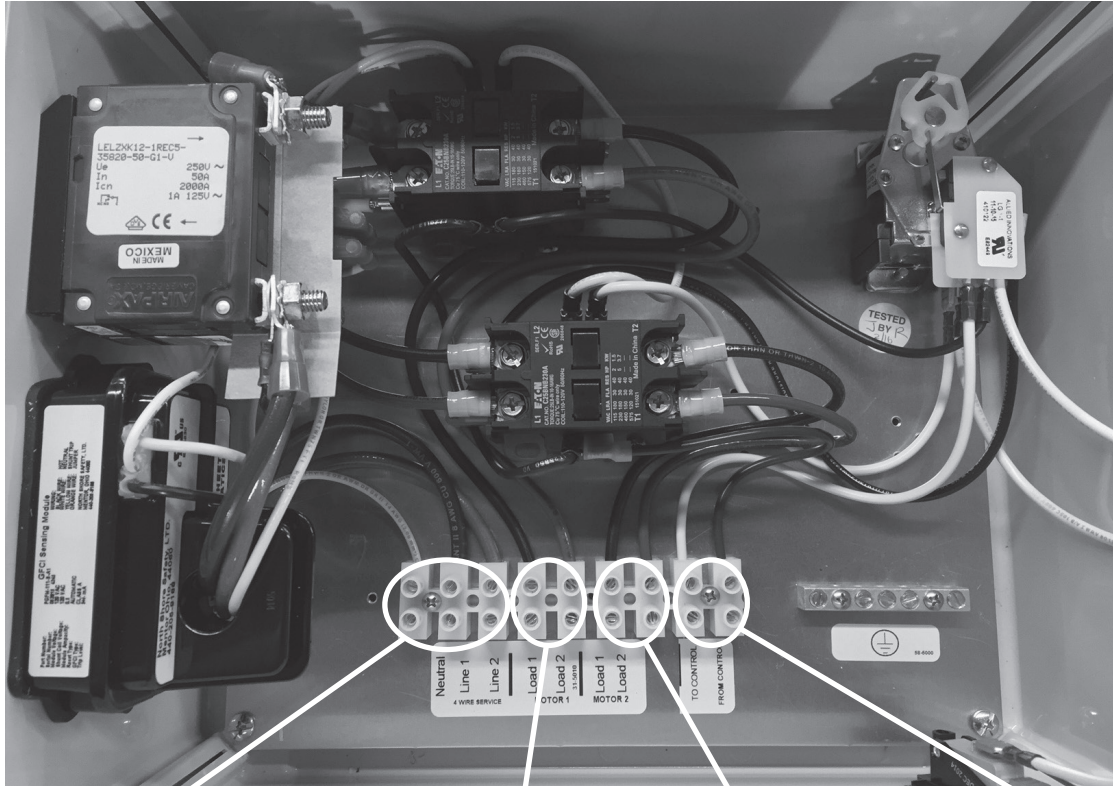
- **Motor de Bomba:** Conectar al tornillo proporcionado dentro de la caja de la terminal de motor.
- **Caja de Control:** Conectar a la regleta de bornes de conexión a tierra de aluminio en el interior del recinto de la caja de control.

**PRECAUCIÓN:** **NO** conectar a la fuente de alimentación eléctrica hasta que la unidad esté conectada a tierra de forma permanente.

*NOTA: Las cajas de control monofásicas equipadas con GFCI se muestran en las páginas 16-17. Se disponen de otras opciones. Por favor, ponerse en contacto con la fábrica (800) 223-8538 para obtener ayuda.*



# Instalación de la bomba y la caja de control - Continuación

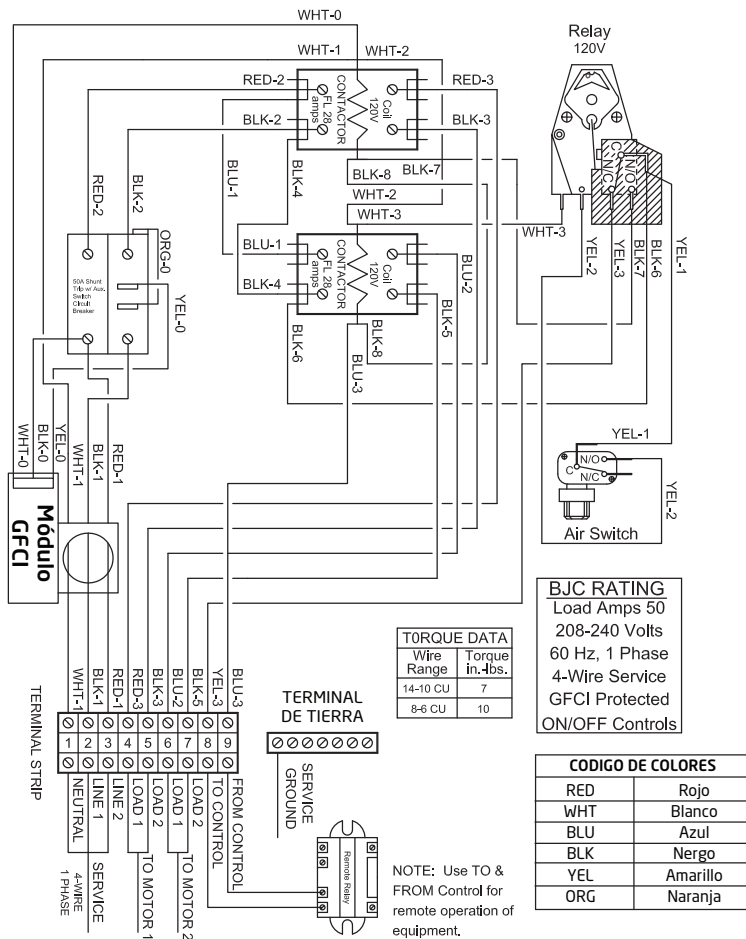


Energía del panel principal (230 VAC):  
Neutro, Línea 1, Línea 2

Potencia del motor de bomba 1 (230 VAC):  
Carga 1, Carga 2

Potencia del motor de bomba 2 (230 VAC):  
Carga 1, Carga 2

Conexión al remoto de relé (120 VAC)



# 4 Servicio y Mantenimiento

## Ajustes de boquilla

Para ayudar a poner las boquillas en posición para un mejor rendimiento, por favor, siga estas instrucciones:

1. Piezas requeridas:

Cantidad 2 - Tubería de 4' x 1.5" PVC

Cantidad 2 - Adaptador de manguera 1.5" MPT x 1.5" /1.25"

Cantidad 2 - Adaptador Hembra 1.5" Slip x 1.5" FPT

2. Apagar la bomba(s) de chorro.

3. Insertar cada herramienta de ajuste de chorro en la boquilla de chorro.

4. Poner los extremos de las herramientas de ajuste juntos para que se toquen entre las carcasas de chorro. Luego levantar las herramientas juntas para que los extremos toquen la superficie del agua. (Ver Figura 16)

5. Retirar la herramienta de ajuste de chorro.

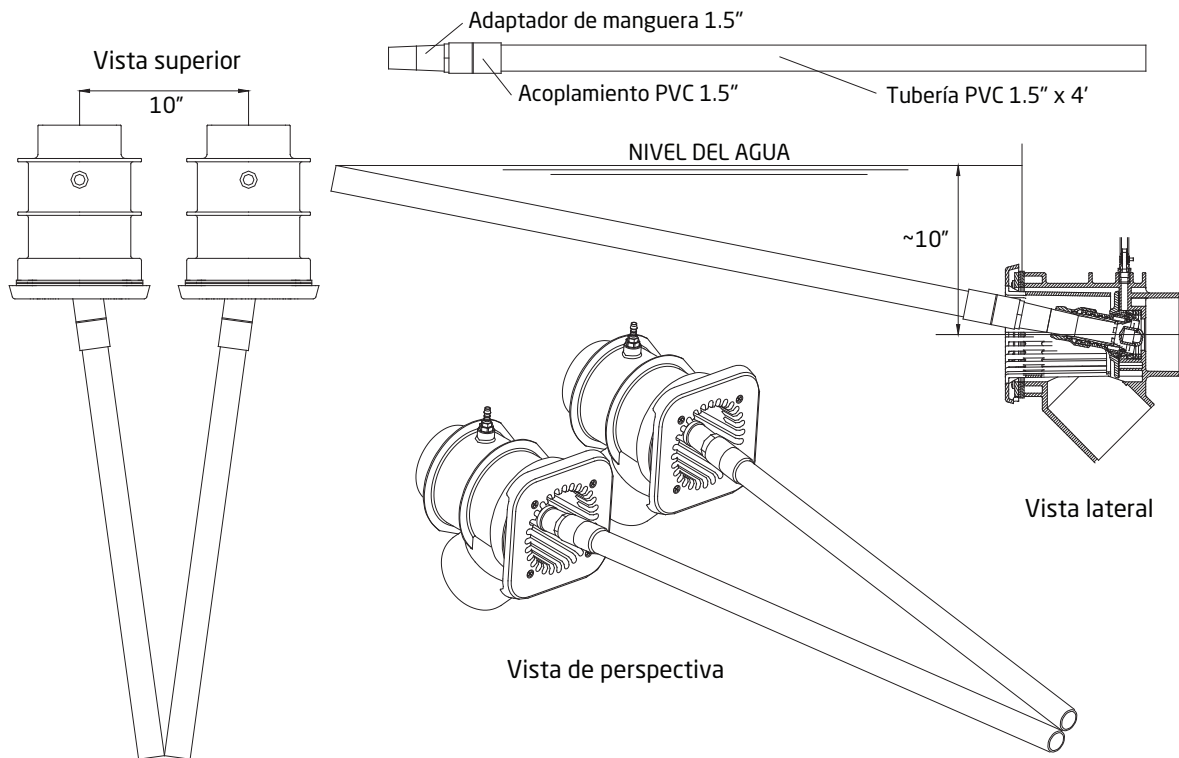


Figura 16  
Ajuste de boquilla del BaduStream

## Adaptación al invierno

En áreas sujetas a temperaturas heladas, debe proteger su equipo. Recomendamos adquirir un kit de cubierta de invierno #2308752006K. Este kit incluye una (1) placa de invierno, una (1) junta y cuatro (4) tornillos.

También, puede proteger su sistema swimjet de la siguiente forma: Vaciar la piscina hasta que el nivel del agua ha descendido por debajo de la cubierta anti-atrapamiento. Luego proteger la bomba quitando el tapón de desagüe y el tapón de llenado rojo (o tapa).

---

# 5 Preguntas Frecuentes

---

## **¿Cómo se genera la corriente?**

La bomba genera hasta 400 GPM que salen de dos (2) boquillas de chorro a 27 pies por segundo y 36 pies por segundo a través de una (1) boquilla creando una corriente de más de 5700 GPM de 6 pies desde el chorro.

## **¿Qué tamaño de piscina necesito?**

BaduStream puede ser instalado en cualquier tamaño de piscina. Sin embargo, recomendamos una longitud mínima de 14 pies y un ancho mínimo de 7 pies del carril de natación.

## **¿Qué tamaño de las tuberías es necesario? ¿A qué distancia de la BaduStream se puede instalar la bomba?**

Utilizar tuberías de 4" de hasta 30 pies, para recorridos más largos que 30 pies usar tuberías de 6". La bomba debe colocarse lo más cerca de la BaduStream como códigos locales lo permitan. Ver instalación de la tubería en la página 34 para más detalles.

## **¿A cuántos amperios funciona la bomba?**

4.0 HP: Amperios máximos 21.0 - 19.4 @ 208-230 V

3.5 HP: Amperios máximos 15.2 - 14.0 @ 208-230 V

## **¿Qué tamaño de interruptor necesito?**

Debe usar un interruptor de 40 amperios para la bomba 4 HP o interruptor de 30 amperios para la bomba 3 HP para evitar disparos intempestivos.

## **¿BaduStream está aprobado?**

Sí. El sistema Swimjet BaduStream está mencionado por MET, UL y cumple con la norma UL 1563 de Equipamiento de Piscina, norma ASME ANSI/ASME A112.19.8 (ANSI/APSP-16, 2011), Norma de Accesorios de Combinación del SwimJet, y es compatible con VGB 2008.

## **¿Las cubiertas vienen en diferentes colores?**

Sí. Se pueden pedir las cubiertas redondas en gris y negro. La cubierta cuadrada solo está disponible en negra y blanca.

## **¿El regulador de aire viene en diferentes colores?**

Sí. Se puede pedir el regulador de aire en negro.

## **¿Es importante si la carcasa se instala más arriba o más debajo de lo que indica el manual?**

Sí, el centro del chorro debe estar 12" **DEBAJO** del nivel de agua para un correcto funcionamiento de la unidad.

## **¿Se puede colocar el regulador de aire en otro lugar?**

Sí, siempre que no esté continuamente inundado con agua.

## **¿Se puede colocar la bomba bajo el nivel del agua?**

Sí. Sin embargo, para un mejor rendimiento recomendamos pedir una bomba de aspiración normal (Modelo 21-80/33 G) en lugar de autocebante (Modelo 21-80/33 GS). Recomendamos instalar las válvulas para facilitar el mantenimiento

## **¿Qué tan lejos puede funcionar correctamente el botón de aire?**

Máximo a 50 pies de la caja de control. Consultar a fábrica para distancias mayores a 50 pies.

## **¿Necesito instalar un arrancador de motor?**

En la mayoría de los casos, no. Todas las bombas monofásicas tienen incorporado las sobrecargas térmicas. Además, el modelo trifásico 21-80 / 33 tiene incorporado la sobrecarga térmica. Otras bombas trifásicas requieren un arrancador de motor.

## **¿Se debe vincular a mi sistema de filtro?**

No. El sistema swimjet y el sistema de filtro no deben conectarse ya que cada uno proporciona funciones específicas.

## **¿Puedo utilizarlo con controles automatizados?**

Sí. Viene con la capacidad de unirse a los sistemas de control automatizados u otros dispositivos de conmutación.

## Solución de Problemas

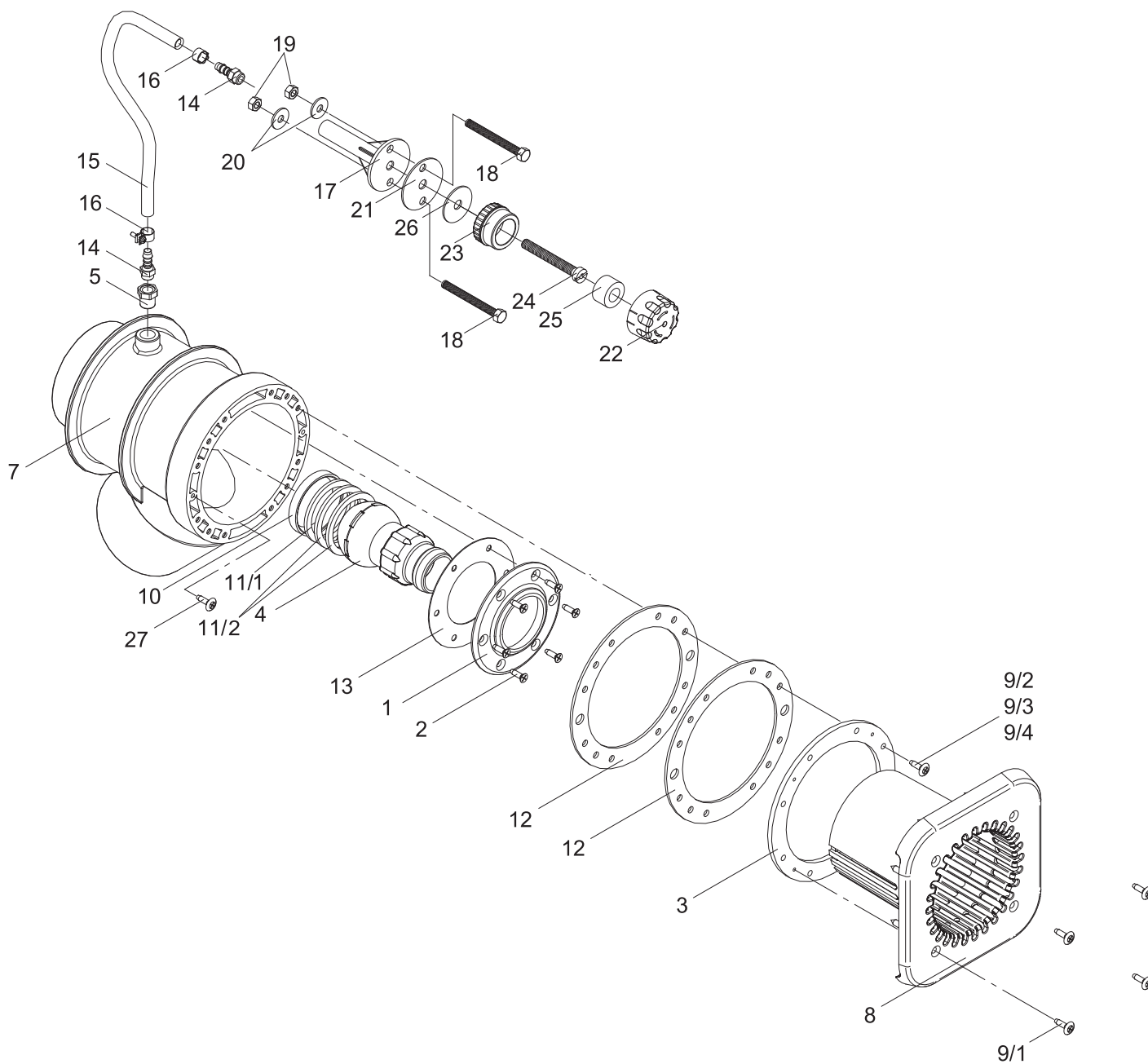
PROBLEMA	POSIBLES CAUSAS	SOLUCIÓN
1. La bomba no ceba.	<p>a. Fuga de aire de succión.</p> <p>b. No hay agua en la bomba.</p> <p>c. Válvulas cerradas líneas bloqueadas.</p> <p>d. Bajo voltaje al motor.</p>	<p>Asegurarse de que el tapón de llenado rojo y el anillo tórico están limpios y correctamente colocados. Apretar el tapón de llenado rojo. Apretar todos los tubos y accesorios en el lado de succión de la bomba. El agua en la piscina debe estar lo suficientemente alto para fluir a través de la carcasa de chorro.</p> <p>Asegurarse de que la carcasa de bomba está llena de agua.</p> <p>Abrir todas las válvulas del sistema. Abrir la bomba y ver si hay obstrucción del impulsor.</p> <p>Chequear el voltaje del motor. Si está bajo, la bomba no acelerará.</p>
2. El motor no gira.	<p>a. No hay energía que llegue al motor.</p> <p>b. La bomba está atascada.</p>	<p>Chequear que todos los interruptores de alimentación están encendidos. Asegurarse que el fusible o disyuntor está bien ajustado. Comprobar el cableado del motor en los terminales.</p> <p>Con la energía apagada, girar el eje. Se debe girar libremente. Si no es así, desmontar y reparar.</p>
3. Flujo bajo.	<p>a. No hay agua en la bomba.</p> <p>b. Válvulas cerradas o líneas bloqueadas.</p> <p>c. Bajo voltaje al motor.</p>	Ver problema 1.
4. Operación ruidosa del motor.	a. Rodamientos averiados.	Comprobar el ruido girando a mano el eje. El motor va a estar muy caliente en el área de rodamiento cuando se ejecuta. Reemplazar el rodamiento.
5. El motor funciona en caliente.	Estos motores se calientan rápido. Sin embargo, esta situación es normal. Están diseñados de esa manera. Un protector de sobrecarga térmica funcionará para apagarlos si hay una sobrecarga o un problema de alta temperatura. El calor excesivo puede ser causado por:	
	<p>a. Bajo voltaje.</p> <p>b. Instalado al sol.</p> <p>c. Poca ventilación.</p>	<p>Aumentar el tamaño del cable eléctrico. Asegurarse de que motor está funcionando con el voltaje correcto.</p> <p>Proteger el motor de los rayos del sol.</p> <p><b>NO</b> bloquear las aberturas de ventilación del motor.</p>
6. Operación ruidosa de la bomba.	<p>a. Fuga de aire en la línea de succión.</p> <p>b. Línea de succión restringida debido al bloqueo o pequeña tubería. Indicado por la lectura de alto vacío a la bomba de succión.</p> <p>c. Material extraño (grava, metal, etc.) en el impulsor de la bomba.</p> <p>d. Cavitación.</p>	<p>Reparar la fuga. Chequear tubería de succión, el tapón de llenado rojo, y el anillo tórico (Ver Problema 1).</p> <p>Eliminar el bloqueo o aumentar el tamaño de la tubería de succión. ¿Todas las válvulas de succión están totalmente abiertas?</p> <p>Desmontar la bomba y eliminar el material extraño del impulsor.</p> <p>Mejorar las condiciones de succión. (Reducir la longitud de la línea de succión, reducir la cantidad de accesorios, aumentar el tamaño del tubo.)</p>

## Solución de Problemas - Continuación

PROBLEMA	POSIBLES CAUSAS	SOLUCIÓN
7. Sobrecarga del motor	<p>a. El motor no está conectado correctamente.</p> <p>b. Baja tensión debido a un cable pequeño o poca entrada de voltaje.</p> <p>c. Radiadores de mal tamaño en el dispositivo de protección.</p> <p>d. Sobrecarga debido a la unión en la bomba o impulsor de incorrecto tamaño.</p>	<p>Chequear el esquema del cableado en el motor.</p> <p>Consultar con un voltímetro. Aumentar el tamaño del cable de alimentación. Informar de baja tensión de alimentación a la compañía eléctrica. El voltaje del motor debe estar dentro del 10% del voltaje de placa del motor.</p> <p>Los radiadores deben ser de un tamaño mayor que el amperaje a plena carga que aparece en la placa del motor.</p> <p>Indicado por las lecturas de amperaje alto en el motor y la carcasa de unión. Desarmar la unidad y corregir.</p>
8. Mi botón de aire ON/OFF no funciona correctamente.	<p>a. Caja de Control.</p> <p>b. Tubería de aire.</p>	<p>Chequear GFCI. Si el LED verde no permanece encendido, contactar a un electricista certificado para diagnosticar componentes de la caja de control.</p> <p>Chequear la conexión de la tubería de aire en la caja de control. Ver que el tubo no está doblado o aplastado. La tubería puede necesitar ser reemplazada.</p>
9. ¿El sistema no se apaga?	a. Componentes de la caja de control	Presionar botón TEST de la caja de control GFCI para apagar el sistema. Contactar a un electricista certificado para diagnosticar componentes de la caja de control.
10. He ajustado las boquillas pero el flujo es escaso.	<p>a. Escombros en la carcasa de la bomba /impulsor.</p> <p>b. Ensamble inadecuado de la carcasa de chorro.</p>	<p>Revisar el interior de la carcasa de la bomba en busca de residuos.</p> <p>La parte interna puede necesitar ser removida para una inspección.</p>
11. La cubierta de plástico está rajada.		Para hacer su pedido contactar a fábrica al 800-223-8538.



# 6 Especificación del Producto



## Vista Desarrollada

NUMERO DE PIEZA	NUMERO DE DIBUJO	CANTIDAD REQUERIDA	DESCRIPCION
2306002009	1	1	ARO FRONTAL - BOQUILLA
5879006020	2	6	TORNILLO DE ROSCA - ARO FRONTAL K60 x 20 A2
2308762004	3	1	ANILLO - FIJACION
2302002854	4	1	BOQUILLA - FLUJO AJUSTABLE 40mm
2308761001A	5 & 7	1	CARCASA CON BUJE REDUCTOR 16mm x 1/4"
2308750003	8	1	CUBIERTA - CUADRADA AE
5879650625	9/1	4	TORNILLO - CUBIERTA CUADRADA, PHILLIPS/PAN M6 x 25mm
2991000077	9/2	8	TORNILLO-ANILLO DE FIJACION, CABEZA PLANA PHILLIPS M6x 20mm
5879650625	9/3	8	TORNILLO - ANILLO DE FIJACION, PHILLIPS/PAN M6 x 25mm
5879650640	9/4	8	TORNILLO- ANILLO DE FIJACION, PHILLIPS/PAN M6 x 40mm
2991000038	9/5	4	TORNILLO - CUBIERTA CUADRADA (ANILLO EXT) SLOT/PAN M6x 45mm
2302002056	10	1	ASIENTO - BOQUILLA
2302002057	11/1	1	SEPARADOR - BOQUILLA 6.2mm
2302002157	11/2	2	SEPARADOR - BOQUILLA 4mm
2308750005	12	2	JUNTA - ANILLO DE FIJACION
2306002013	13	1	JUNTA - ARO FRONTAL
2303004000	(14-21)	1	SOPORTE CON SUBCONJUNTO DE MANGUERA
2301001005	14	2	BOQUILLA - MANGUERA, REGULADOR DE AIRE, PLASTICO 1/4"
2301001007	15	1	MANGUERA - REGULADOR DE AIRE, PLASTICO 8 x 3mm
2301001008	16	2	ABRAZADERA - MANGUERA, REGULADOR DE AIRE 14/9 SS A4
2301001009	17	1	SOPORTE - REGULADOR DE AIRE
2991000049	18	2	TORNILLO - SOPORTE DE AIRE, RANURA/CACEROLA 1/4-20 x 1-1/2"
2991000052	19	2	TUERCA - SOPORTE DE AIRE, TUERCA HEXAGONAL 1/4-20 SS
2991400024	20	2	ARANDELA - SOPORTE DE AIRE 1/4" SS
2301001013	21	1	JUNTA - SOPORTE DE AIRE 60 x 11 x 2mm
2301002000	(22-26)	1	REGULADOR DE AIRE (SUB-ENSAMBLE) - BLANCO
2301002021	22	1	PIEZA SUPERIOR - REGULADOR DE AIRE - BLANCO
2301002022	23	1	PIEZA INFERIOR - REGULADOR DE AIRE - BLANCO
2301002023	24	1	TORNILLO W - REGULADOR DE AIRE, BRONCE M10 x 80
2301002024	25	1	ANILLO - MANGUERA, REGULADOR DE AIRE 16 x 30 x 18mm
2301002025	26	1	JUNTA - REGULADOR DE AIRE 42 x 11 x 2mm
2991000059	27	2	TORNILLO DE ROSCA - CARCASA DE CHORRO, PHILLIPS/PAN 14 x 1
2304910010	SIN MUESTRA	1	ANILLO - EXTENSION, CARCASA DE CHORRO (BORDE)
7400000026	29	1	BOTON DE AIRE #10
7400000027	SIN MUESTRA	50'	TUBERIA DE AIRE 1/8" x 1' (PRECIO POR PIE)
7400000062	30	1	BOTON DE AIRE CON ADAPTADOR DE CONCRETO

### PIEZAS OPCIONALES PARA EL BADUSTREAM II

2308752006K	SIN MUESTRA	1	KIT DE CUBIERTA DE INVIERNO - cubierta, junta y 4 tornillos
2308750003B	8.1	1	CUBIERTA - CUADRADA NEGRA
2308760004	SIN MUESTRA	1	CUBIERTA- REDONDA AE
2308760004B	SIN MUESTRA	1	CUBIERTA - REDONDA NEGRA
2308760004G	SIN MUESTRA	1	CUBIERTA - REDONDA GRIS
2301002000B	(22.1-26)	1	REGULADOR DE AIRE (SUB-ENSAMBLE Y COMPLETAR) - NEGRO
2301002029	22.1	1	PIEZA SUPERIOR - REGULADOR DE AIRE - NEGRO
2301002028	23.1	1	PIEZA INFERIOR - REGULADOR DE AIRE - NEGRO
2308750006	12.1	1	JUNTA MARIPOSA - ANILLO DE FIJACION
2300022000	SIN MUESTRA	1	TAPON - BOQUILLA, CERRAR
2300003000	SIN MUESTRA	1	MANGUERA DE MASAJE 5 PIES CON PULSADOR
2300003006	SIN MUESTRA	1	MANGUERA DE MASAJE 15 PIES CON PULSADOR

# 7 Garantía Limitada

Speck Pumps-Pool Products, Inc. otorga únicamente al comprador original ("Comprador") del Sistema Badu® SwimJet (s) la siguiente garantía personal, intransferible y limitada en los siguientes términos y condiciones (la "Garantía limitada"): el Sistema Badu SwimJet (s) está garantizado de estar libre de defectos materiales en materiales o mano de obra bajo un uso normal durante un período de un (1) año a partir de la fecha en la que el comprador adquiere el Sistema Badu SwimJet (s) (el "Período de garantía limitada"). No obstante cualquier disposición contraria en el presente documento, las garantías y obligaciones no se ampliarán en cualquier caso a más de dos (2) años después de la fecha de embarque del Sistema Badu SwimJet (s) desde la fábrica (el "Período de garantía limitada"). La garantía limitada está sujeta a cada uno de los siguientes términos y condiciones adicionales:

---

## Garantía Limitada - Continuación

---

**1. EN CASO DE CUALQUIER INCUMPLIMIENTO DE LA GARANTÍA LIMITADA, TODA OBLIGACION Y RESPONSABILIDAD DE SPECK PUMPS-POOL PRODUCTS, INC. AL COMPRADOR, Y LA ÚNICA Y EXCLUSIVA SOLUCIÓN DEL COMPRADOR SERÁ LO SIGUIENTE:** Speck Pumps-Pool Products, Inc., a su elección, reparará o reemplazará el sistema Badu SwimJet (s) o el reembolsará al comprador el precio de compra efectivamente pagado por el comprador por el Sistema Badu SwimJet (s) sujeto a la Garantía Limitada. Speck Pumps-Pool Products, Inc. no tendrá ninguna obligación bajo la Garantía Limitada a menos comprador entregue oportunamente una notificación escrita a Speck Pumps-Pool Products, Inc. de la demanda de la garantía dentro del Periodo de Garantía Limitada y devuelva el sistema Badu SwimJet (s) a Speck Pumps-Pool Products, Inc. si se solicita. En la medida en que lo permita la ley, Speck Pumps-Pool Products, Inc. renuncia expresamente a cualquier responsabilidad, y la Garantía Limitada no incluye ni cubre, todo trabajo, costes u otros gastos relacionados con el traslado, transporte, embarque, seguro, sustitución, reparación o instalación de piezas reparadas o sustituidas o por cualquier otro coste o gasto o daño a la propiedad o cosas, incluyendo, pero no limitado a, los que surgen relacionados con el uso o la imposibilidad de usar, el sistema Badu SwimJet (s).

2. En la medida en que lo permita la ley, la Garantía Limitada será nula y sin efecto y Speck Pumps -Pool Products, Inc. no tendrá responsabilidad alguna ni obligaciones al comprador o con respecto al Sistema de Badu SwimJet (s) en el caso de que ocurra de uno o más de los siguientes:

- (a) Cualquier daño al sistema Badu SwimJet (s) causado por el comprador, cualquier tercero, movimiento del suelo, otras fuerzas naturales, fuerza mayor o cualquier otra fuente o causa que genere el incumplimiento de la Garantía Limitada, excluyendo uso y desgaste ordinario;
- (b) Cualquier sustitución, modificación, alteración o reparación de piezas o componentes del sistema(s) Badu SwimJet por cualquier persona que no sea de Speck Pumps-Pool Products, Inc.;
- (c) Cualquier abuso, mal uso, accidente, manipulación, instalación inadecuada o modificación del sistema Badu SwimJet (s) o cualquier otro tipo de acción, inacción u omisión que viole los términos y condiciones de esta Garantía Limitada;
- (d) La imposibilidad del comprador de presentar una factura, cuenta, recibo u otra documentación que evidencie claramente que el sistema SwimJet Badu (s) se instaló y se mantiene en estricto cumplimiento con esta Garantía Limitada y que la demanda fue presentada en tiempo dentro del Período de Garantía Limitada; y / o
- (e) La falta del comprador en cumplir con las condiciones y contingencias establecidas en el párrafo 3 siguiente.

3. La Garantía Limitada está condicionada y supeditada expresamente al estricto cumplimiento del comprador con cada uno de los siguientes:

- (a) Instalación del sistema Badu SwimJet por un profesional industrial experimentado y calificado en piscinas y un electricista con licencia dentro de la jurisdicción en la que se instala el sistema Badu SwimJet y será utilizado; y
- (b) Operación y mantenimiento del Sistema de Badu SwimJet (s) del Comprador en estricta conformidad con los manuales impresos de operación y mantenimiento de Speck Pumps-Pool Products, Inc. entregados con el sistema Badu SwimJet.

**4. EXENCIÓN DE RESPONSABILIDAD: LA GARANTÍA LIMITADA ES LA ÚNICA GARANTÍA DADA Y REEMPLAZA TODAS LAS OTRAS GARANTÍAS, Y CUALQUIER Y TODA GARANTÍA O CONDICIÓN IMPLÍCITA DE COMERCIALIZACIÓN, LA GARANTÍA IMPLÍCITA CONTRA LA INFRACCIÓN Y LA GARANTÍA O CONDICIÓN IMPLÍCITA DE APTITUD PARA UN PROPÓSITO PARTICULAR, SON EXPRESAMENTE LIMITADAS AL ALCANCE Y DURACIÓN DEL PLAZO DEL AÑO DE LA GARANTÍA ANTERIORMENTE EXPUESTA. ALGUNOS ESTADOS NO PERMITEN LIMITACIONES EN LA DURACIÓN DE LAS GARANTÍAS IMPLÍCITAS, POR LO QUE LA LIMITACIÓN ANTERIOR NO SE APLICA AL COMPRADOR.**

**5. EN LA MEDIDA EN QUE LO PERMITA LA LEY, EN NINGÚN CASO SPECK PUMPS-POOL PRODUCTS, INC. O SUS OFICIALES, DIRECTORES, EMPLEADOS, ACCIONISTAS, AGENTES O REPRESENTANTES SERÁN RESPONSABLES POR DAÑOS O PÉRDIDAS ESPECIALES, INDIRECTAS, INCIDENTALS, PUNITIVAS O CONSECUENCIAS, INCLUYENDO EL TIEMPO, EL DINERO, LA BUENA VOLUNTAD Y PÉRDIDA DE GANANCIAS EN CUALQUIER FORMA QUE PUEDAN SURGIR O DEL USO O IMPOSIBILIDAD DE USO DEL SISTEMA BADU SWIMJET (S) O DE INCUMPLIR CUALQUIER OBLIGACIÓN BAJO ESTA GARANTÍA LIMITADA. ESTE PÁRRAFO, EL DESCARGO DE RESPONSABILIDAD EN EL PÁRRAFO 4, Y LA ÚNICA Y EXCLUSIVA SOLUCIÓN ESTABLECIDA EN EL PÁRRAFO 1 SE APLICARÁN AÚN CUANDO SPECK PUMPS-POOL PRODUCTS, INC. HAYA SIDO NOTIFICADA DE LA POSIBILIDAD O PROBABILIDAD DE TALES DAÑOS OCASIONADOS, SI TAL RESPONSABILIDAD SE BASA EN UN CONTRATO, AGRAVIO, NEGLIGENCIA, RESPONSABILIDAD ESTRICTA, RESPONSABILIDAD POR LOS PRODUCTOS O EN OTRO CASO, Y AUNQUE EL RECURSO EN LA PRESENTE NO CUMPLE CON SU PROPÓSITO FUNDAMENTAL. ALGUNOS ESTADOS NO PERMITEN LA EXCLUSIÓN O LIMITACIÓN DE DAÑOS O PÉRDIDAS ESPECIALES, INDIRECTAS, EJEMPLARES O CONSECUENTES, POR LO QUE LAS EXCLUSIONES ANTERIORES NO SE APLICAN.**

6. Esta garantía limitada le da al comprador derechos legales específicos, y el comprador también puede tener otros derechos que varían de estado a estado.

7. Se debe obtener una autorización de devolución de mercancía ("RMA") de Speck Pumps-Pool Products, Inc. antes de devolver cualquier producto. Los productos devueltos sin una RMA serán rechazados y devueltos, sin abrir, al comprador. Todos los productos devueltos deben ser enviados con flete y seguro prepago para la protección del comprador al fabricante en calle Bayberry 8125, Jacksonville, Florida 32256 EE.UU. En ningún caso se aceptarán los productos después de la expiración del periodo de garantía limitada. Speck Pumps- Pool Products, Inc. no se hará cargo de todos los costos o riesgos incurridos por el comprador en el envío de un sistema defectuoso Badu SwimJet (s) a Speck Pumps-Pool Products, Inc. o en el envío de un Sistema SwimJet Badu reparado o reemplazado al Comprador.

